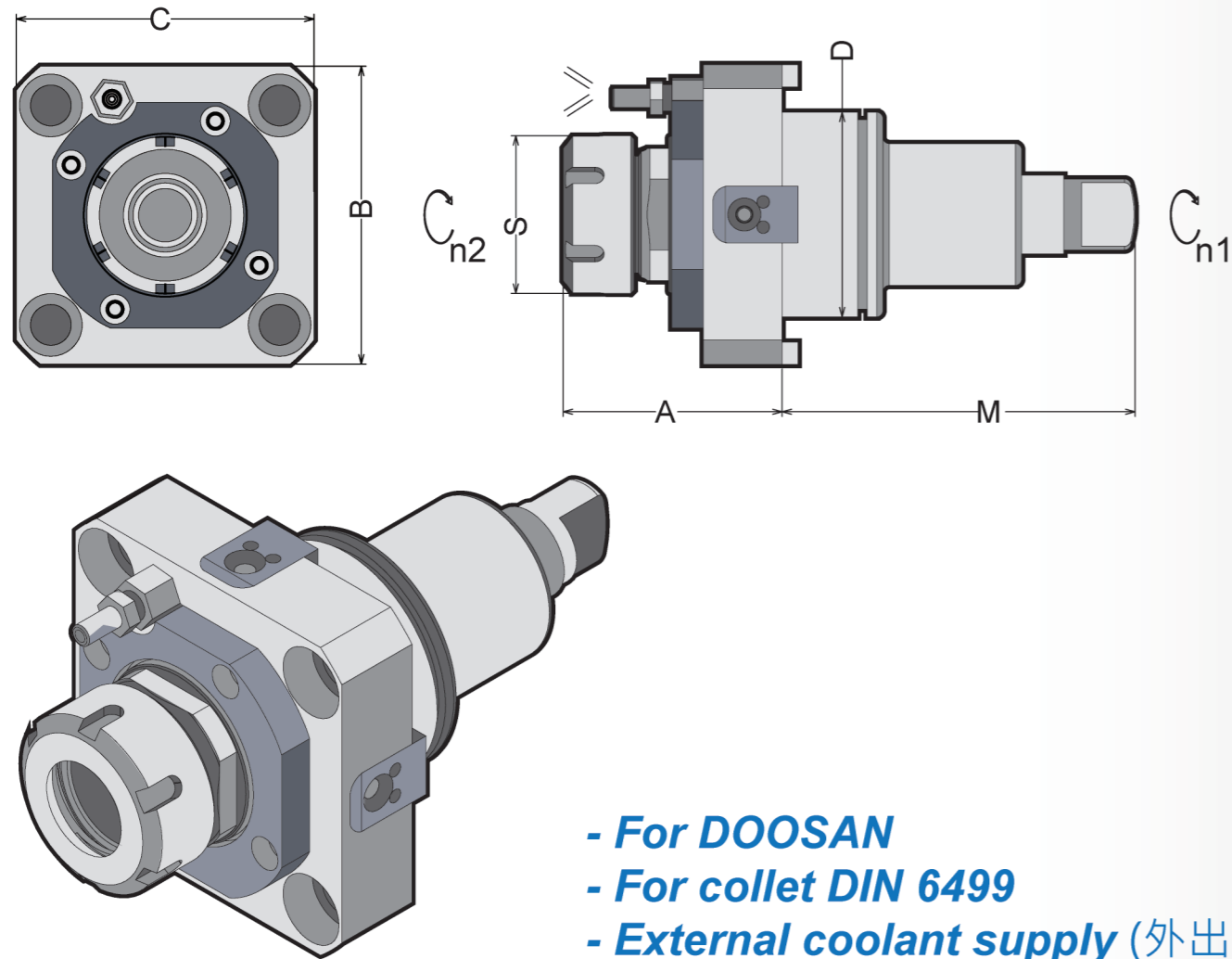


BMT

TOOL HOLDER

BMT 動力刀座 SA 0°
BMT DRIVEN TOOL HOLDER - SA 0°

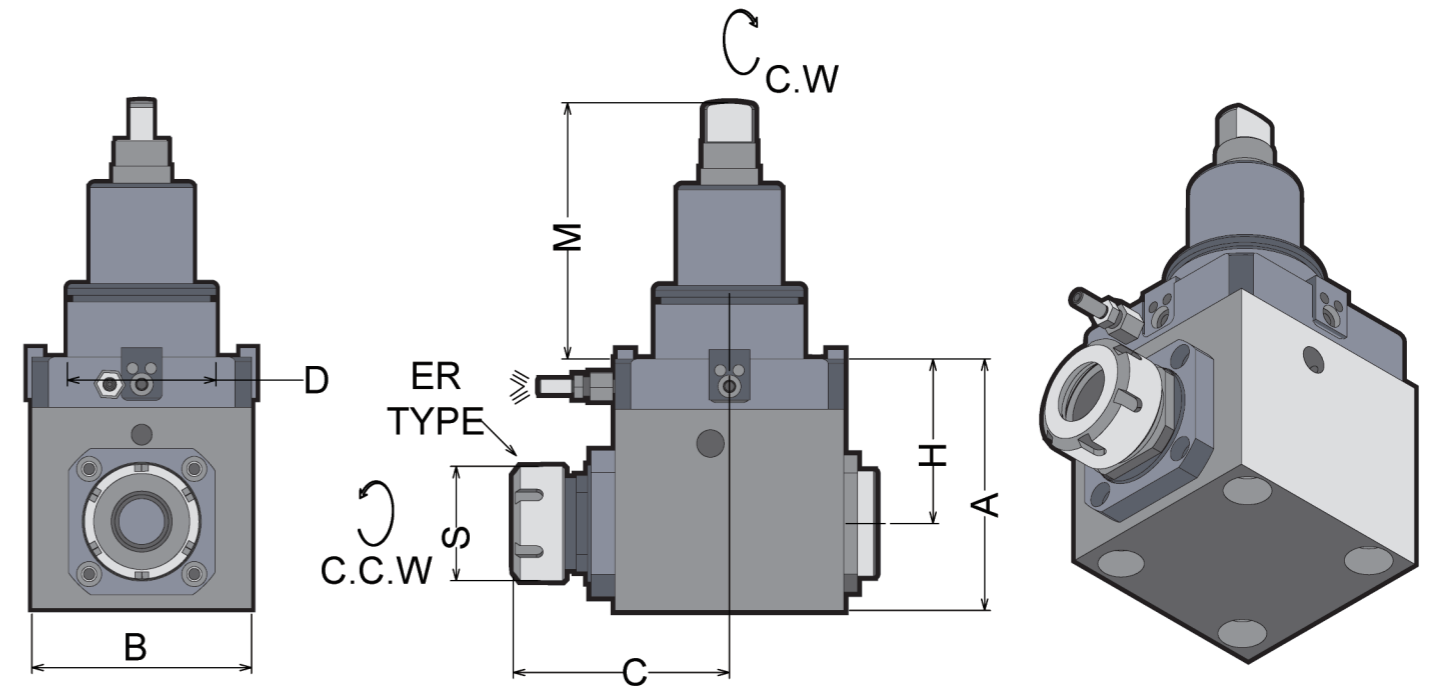


- For DOOSAN
- For collet DIN 6499
- External coolant supply (外出水)
- Gear ratio 1:1 (傳動速比)

size unit mm

Model	D	ER Type	S	A	B	C	M	Maximum R. P. M	Weight	Order No
BMT45	44.9	ER20 1-13	35	62	75	75	84	6000	1.8kg	DW220-SA45-20
BMT55	54.9	ER25 1-16	42	69	84	84	104	6000	5.7kg	DW230-SA55-25
BMT65	64.9	ER32 2-20	50	69	96	96	112	5000	7.3kg	DW300-SA65-32
BMT75	74.9	ER40 3-26	63	78	112	112	110	5000		DW350-SA75-40
BMT85	84.9	ER50 10-34	78	94	125	125	140	4000		DW700-SA85-50

BMT 動力刀座 HF 90°
BMT DRIVEN TOOL HOLDER - HF 90°

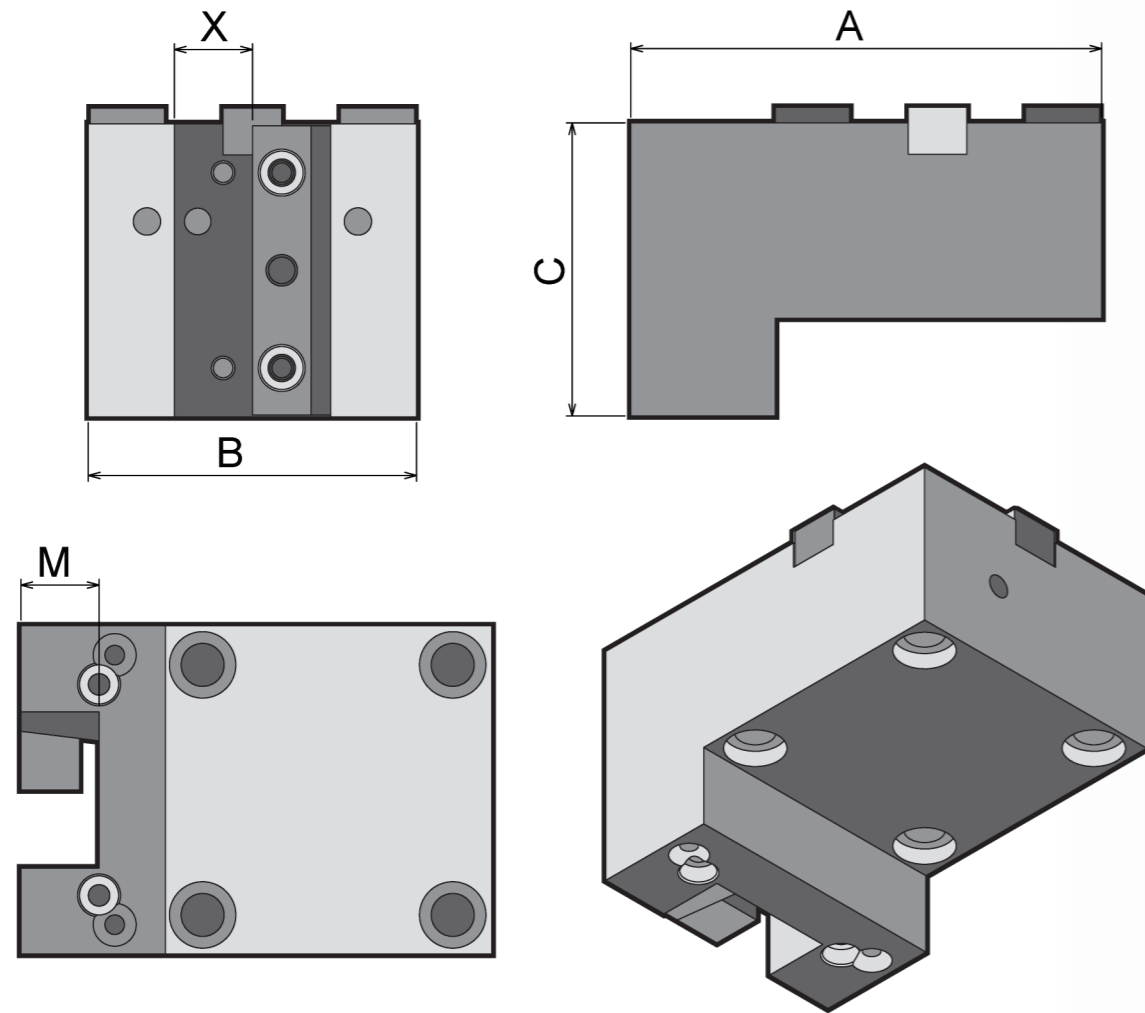


- For DOOSAN
- For collet DIN 6499
- External coolant supply (外出水)
- Gear ratio 1:1 (傳動速比)

size unit mm

Model	D	ER Type	S	A	B	C	H	M	Maximum R. P. M	Order No
BMT45	44.9	ER20 1-13	35	95	75	79	65	84	5000	DW220-HF45-20-65
BMT55	54.9	ER25 1-16	42	95	84	91	60	104	5000	DW230-HF55-25-60
BMT65	64.9	ER32 2-20	50	110	96	95	72	112	4000	DW300-HF65-32-72
BMT75	74.9	ER40 3-26	63	135	112	110	90	110	3000	DW350-HF75-40-90
BMT85	84.9	ER50 10-34	78	156	125	142	110	140	3000	DW700-HF85-50-110

BMT 外徑刀座 前伸型
BMT TURNING HOLDER

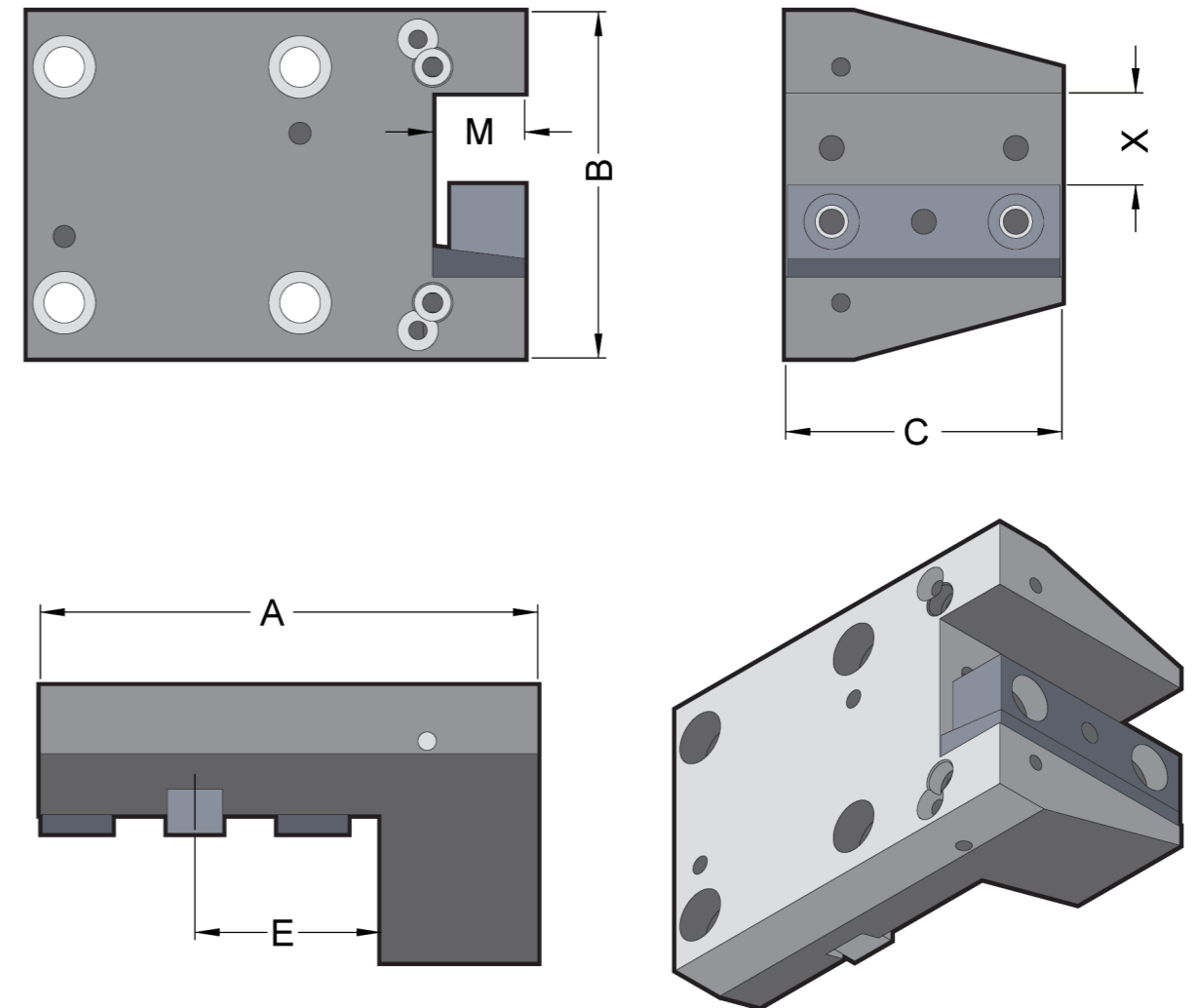


- For DOOSAN
- External coolant supply (外出水)

size unit mm

Model	A	B	C	X	M	Order No
BMT45	105	75	60	20	20	DW220-C20-60
BMT55	120	84	75	20	20	DW230-C20-75
BMT65	131	96	75	25	25	DW300-C25-75
BMT75	145	112	90	32	32	DW350-C32-90
BMT85	174	124	110	32	32	DW700-C32-110

BMT 外徑刀座 後縮型
BMT TURNING HOLDER

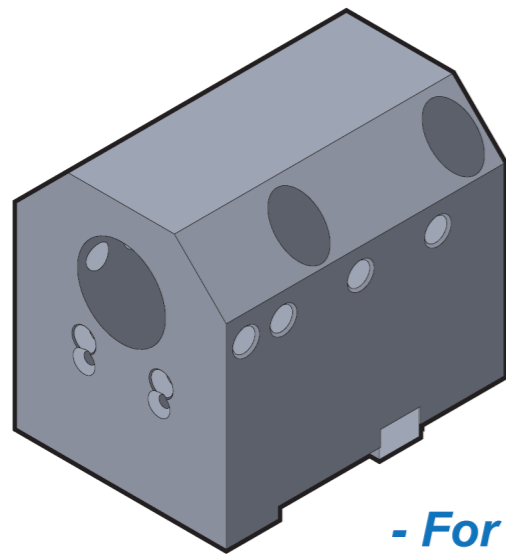
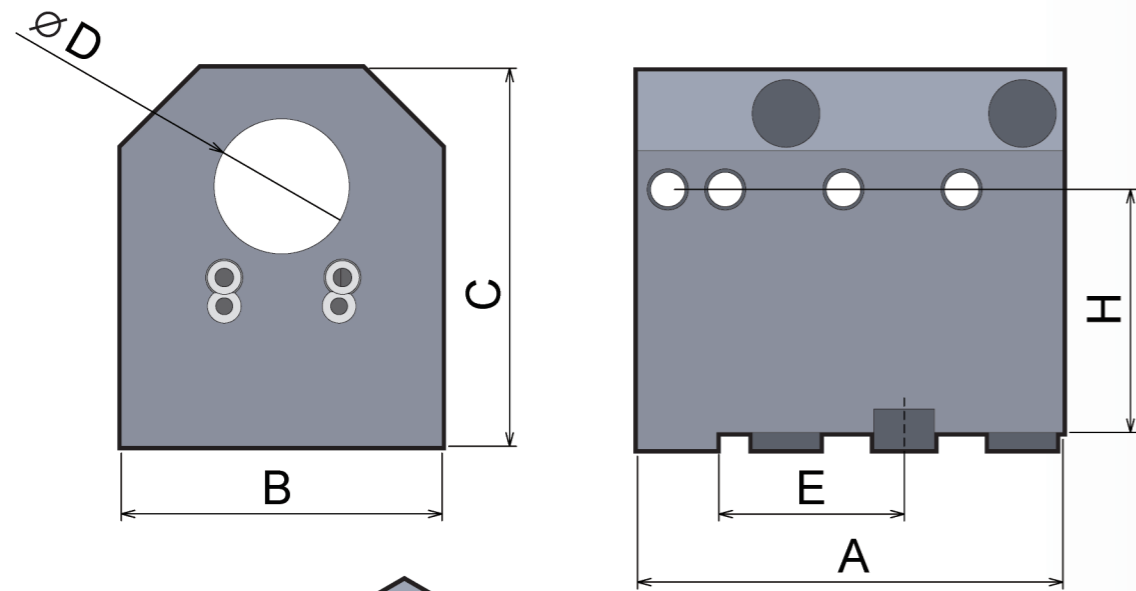


- For DOOSAN
- External coolant supply (外出水)

size unit mm

Model	A	B	C	E	X	M	Order No
BMT55	135	85	75	50.5	20	20	DW230-C20-75
BMT65	143	96	80	55	25	25	DW300-C25-80

BMT 内孔刀座
BMT BORING BAR HOLDER

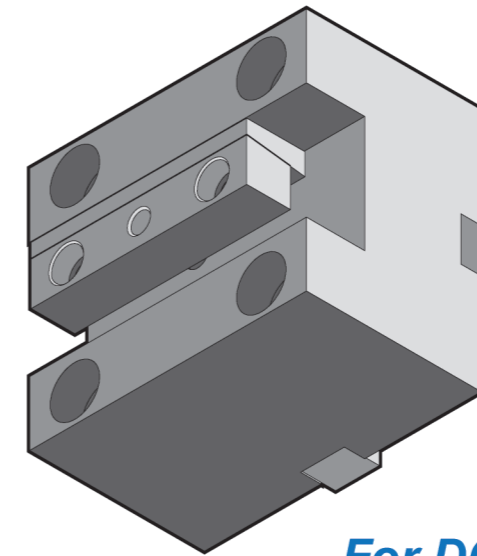
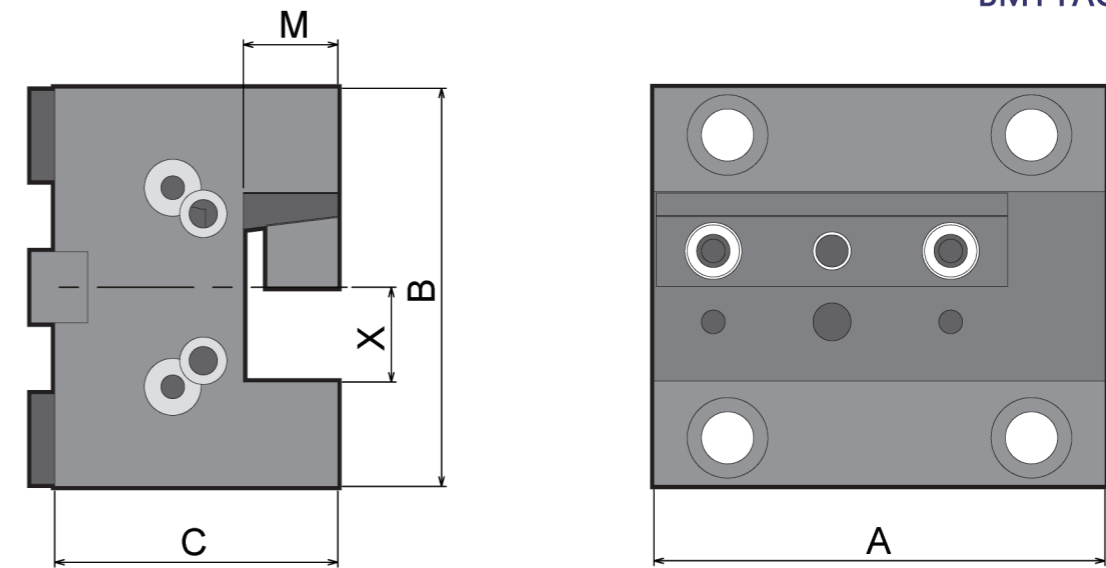


- For DOOSAN
- External coolant supply (外出水)

size unit mm

Model	A	B	C	D	E	H	Order No
BMT45	95	75	85	25		65	DW220-B25-65
BMT55	105	86	90	32	50.5	60	DW230-B32-60
BMT65	126	95	112	40	55	72	DW300-B40-72
BMT75	120	112	130	50		90	DW350-B50-90
BMT85	162	124	157	50		110	DW700-B50-110

BMT 端面刀座
BMT FACING HOLDER



- For DOOSAN
- External coolant supply (外出水)

size unit mm

Model	A	B	C	X	M	Order No
BMT45	86	75	90	20	20	DW220-F20-65
BMT55	95	84	85	20	20	DW230-F20-60
BMT65	100	96	104	25	25	DW300-F25-72
BMT75	120	112	128	32	32	DW350-F32-90
BMT85	168	124	148	32	32	DW700-F32-110



經銷商 Distributor:



耀裕工業股份有限公司

YAU YU INDUSTRIES CO., LTD.

40151台中市東區精武路1-8號

No.1-8, Jingwu Rd., East Dist., Taichung
City 40151, Taiwan

TEL:04-2211-0875 FAX:04-2211-6858

E-mail:yayyu.chen@msa.hinet.net

www.vdi-yayyu.com.tw



MD01/3.01 © BMT-2019