

TOOLING CATALOGUE



簡介 INTRODUCTION

公司簡介

耀裕工業股份有限公司為一成立 30 年之專業精密機械零件製造廠，擁有先進之三井精機 (MITSUI SEIKI) 加工機及精密瑞士製 2D 量測設備 (TESA hite)，以性能優越、供貨迅速著稱；2005 年因應市場需求投入車銑刀座 (VDI) 之製造，已取得歐日先進技術，領先業界推出高剛性、高精度車銑動力刀座，並獲得德國 SAUTER、日本 MIYANO 宮野等公司高剛性切削測試認可，製品深獲業界讚許。

耀裕工業秉持著「優良的品質、迅速的交期、合理的價格」之精神致力於公司經營，本著誠信務實、創新不息的用心，為提供客戶更高的產能與更完善的服務而努力不懈。

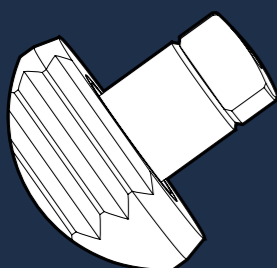
COMPANY PROFILE

YAU YU INDUSTRIES CO., LTD. is a leading manufacturer experienced and specialized in production of the precision machine parts for thirty years. With the advanced MITSUI machining center imported from Japan and the precision 2D measuring instrument (TESA hite) made in Switzerland, YAU YU has been well-known for our excellent product quality and prompt delivery. In response to the market need, YAU YU commenced to engage in manufacturing of VDI tool holders for turning and milling in 2005. Having acquired the advanced technology from Europe and Japan, YAU YU has taken the lead in this industrial field in supplying the first high-rigid and high-precision driven tool holders for turning and milling which have successfully passed the high-rigid machining test carried out by SAUTER in Germany and MIYANO in Japan.

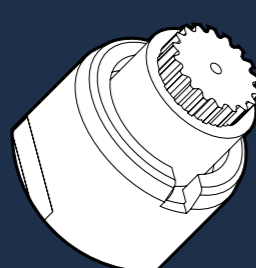
YAU YU has been sticking to the spirit of offering "Excellent Quality, Prompt Delivery and Reasonable Price" in our business operation, and has been devoting ourselves to fulfillment of higher productive capacity and more perfect service based on our sincerity, practical attitude and endless innovation.

聯軸器之種類 TYPE OF COUPLING

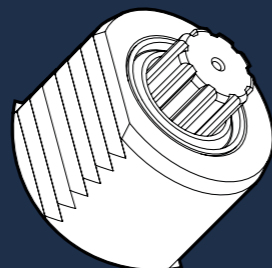
DIN-1809



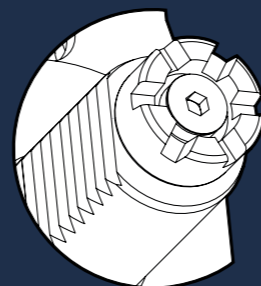
DIN-5480



DIN-5482



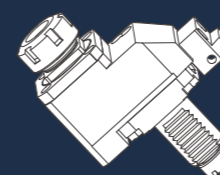
TOEM



目錄 CONTENTS

動力刀座 DRIVEN TOOL HOLDER

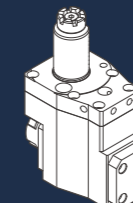
SA-OFFSET
Page | 2



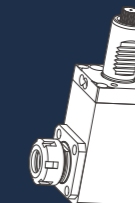
SA
Page | 3



HB
Page | 4

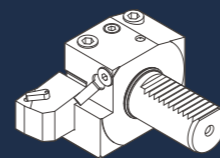


HF-L&R
Page | 5

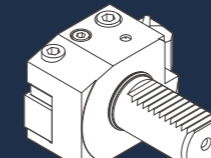


固定刀座 STATIC TOOL HOLDER

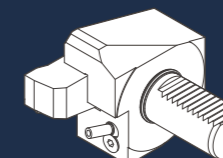
B1
Page | 7



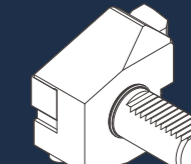
B2
Page | 7



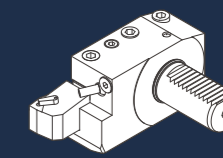
B3
Page | 8



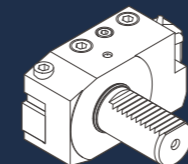
B4
Page | 8



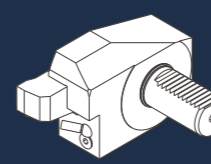
B5
Page | 9



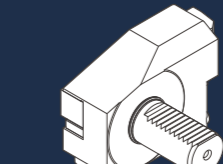
B6
Page | 9



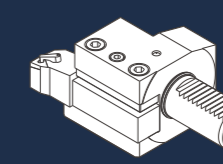
B7
Page | 10



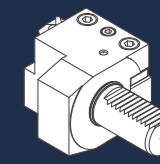
B8
Page | 10



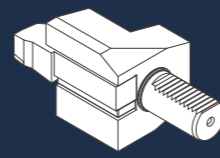
C1
Page | 12



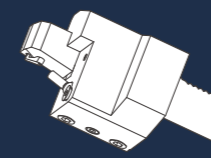
C2
Page | 12



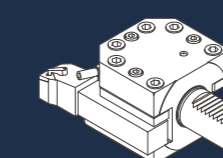
C3
Page | 13



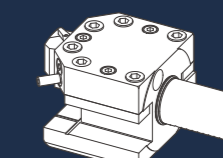
C4
Page | 13



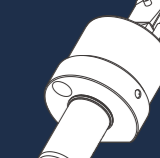
D1
Page | 14



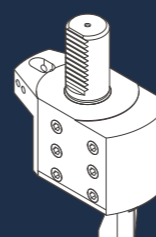
D2
Page | 14



E2
Page | 15-16



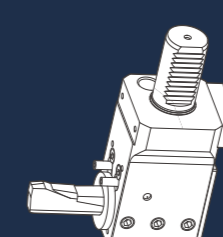
E2-OFFSET
Page | 17



E4
Page | 17



T1
Page | 18



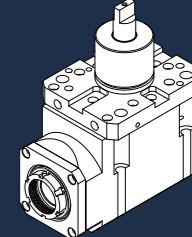
BMT
Page | 19



DAWOOD
Page | 20



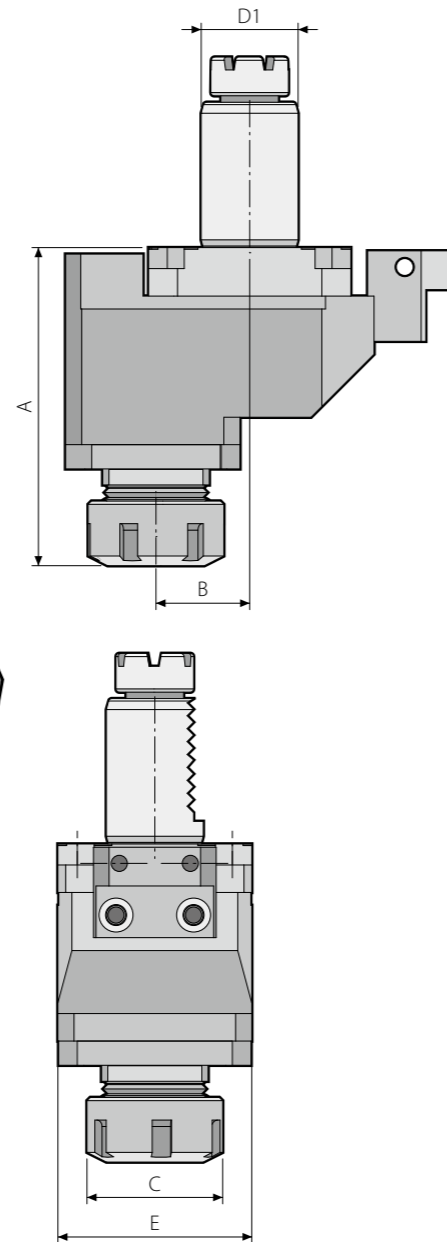
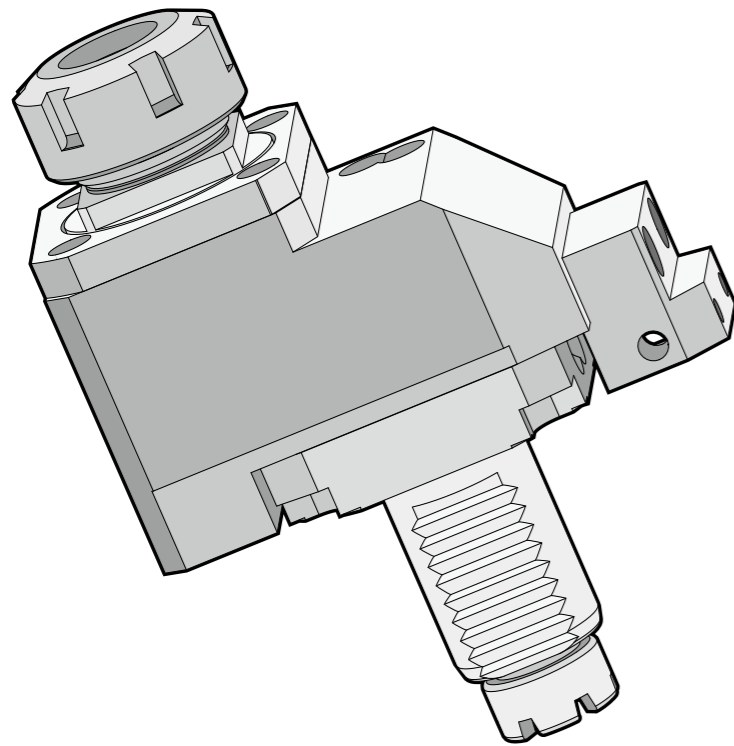
BMT (MORI-13108 型)
Page | 21



*VDI
3

動力刀座
DRIVEN
TOOL HOLDER

SA
OFFSET

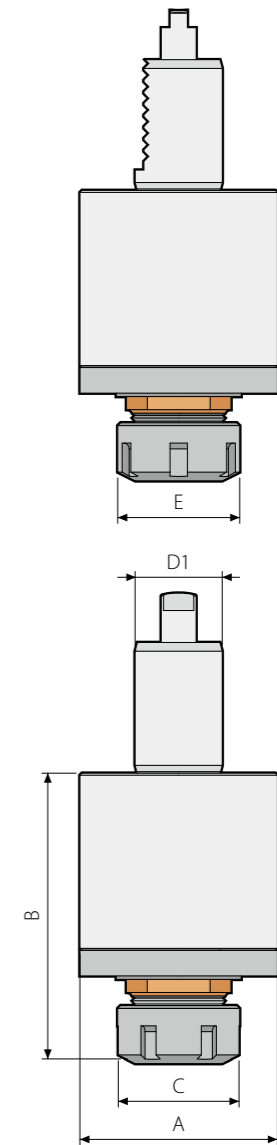
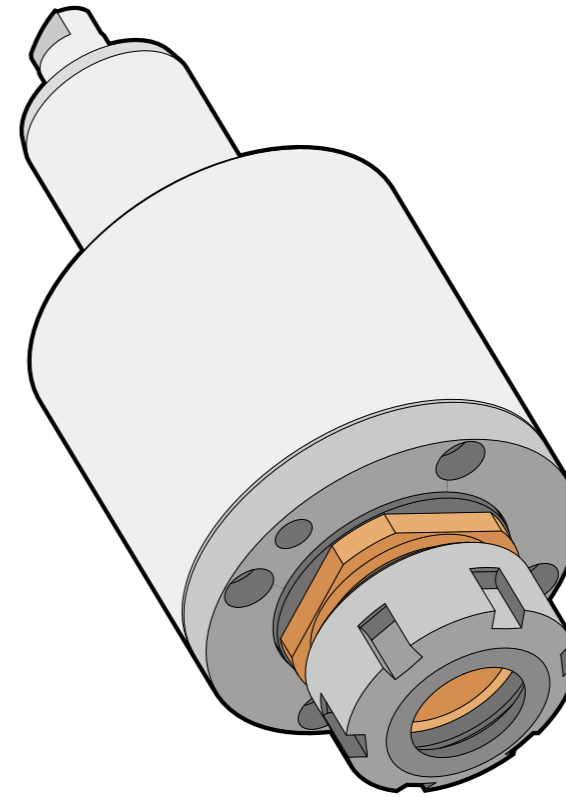


規格尺寸
DIMENSIONS

Order NO.	D1	A	B	C	E
SA20-OFF29-ER16	20	98	29	28	52
SA30-OFF29-ER25	30	98	29	42	60
SA40-OFF50-ER32	40	120	50	50	80

註：聯軸器請見第 0 頁
Note: Please refer to page 0 for coupling.

SA

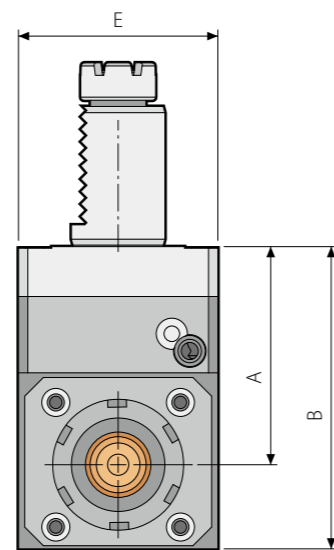
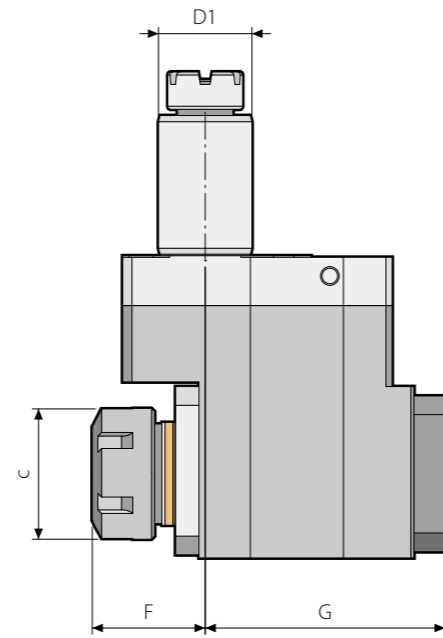
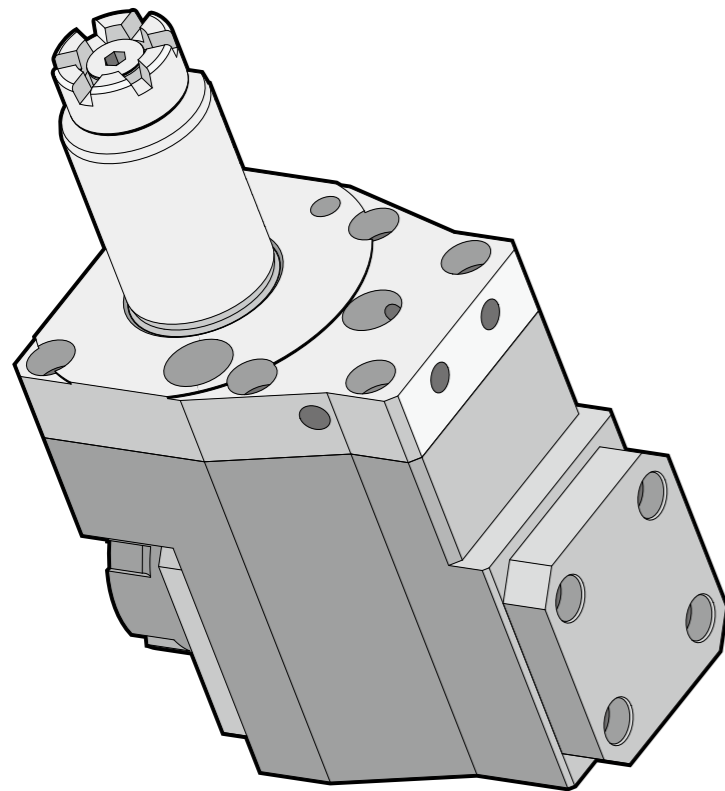


規格尺寸
DIMENSIONS

Order NO.	D1	A	B	C
SA20-ER16	20	58	80	28
SA30-ER25	30	68	90	42
SA40-ER32	40	83	90	50
SA50-ER40	50	88	127	63
SA60-ER50	60	108	153	78

註：聯軸器請見第 0 頁
Note: Please refer to page 0 for coupling.

HB



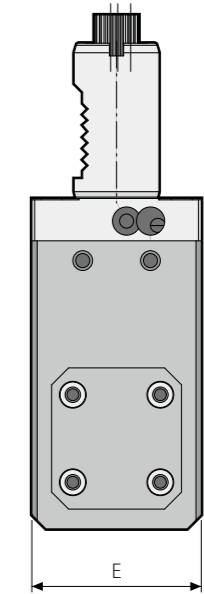
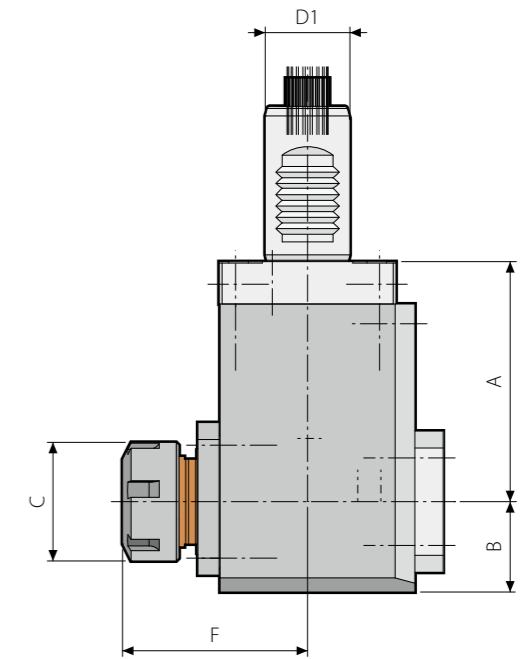
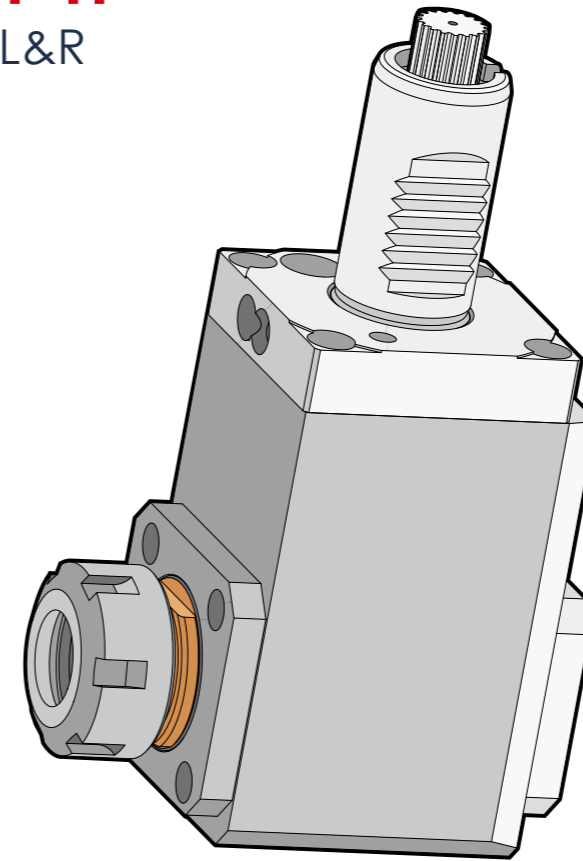
規格尺寸 DIMENSIONS

Order NO.	D1	A	B	C	E	F	G
HB20-ER16	20	55	78	28	50	27	62
HB30-ER25	30	70	97	42	64	32	75
HB40-ER32	40	90	118	50	80	42	112
HB50-ER40	50	90	128	63	86	45	112
HB60-ER50	60	100	145	78	104	54	118

註：聯軸器請見第 0 頁
Note: Please refer to page 0 for coupling.

HF

L&R



規格尺寸 DIMENSIONS

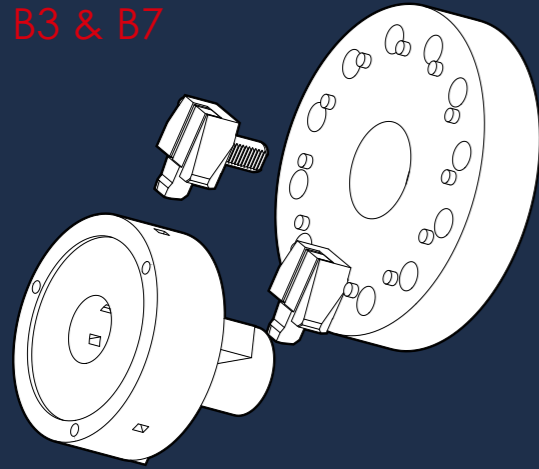
Order NO.	D1	A	B	C	E	F
HF20-ER16	20	55	30	28	50	55
HF30-ER25	30	55、85	32	42	60	68
HF40-ER32	40	55、85、100	35	50	80	76
HF50-ER40	50	85、100	40	63	86	90
HF60-ER50	60	100、120	60	78	112	120

註：聯軸器請見第 0 頁
Note: Please refer to page 0 for coupling.

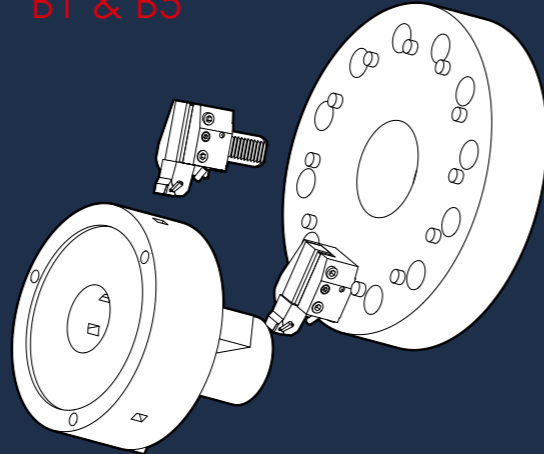
B 型號之配置情形

Configuration of Model-B Tool

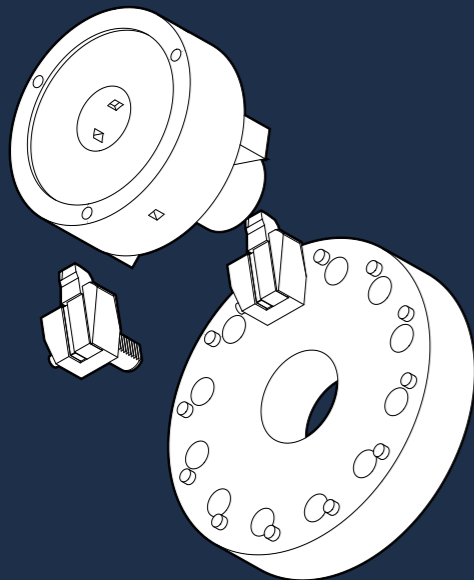
B3 & B7



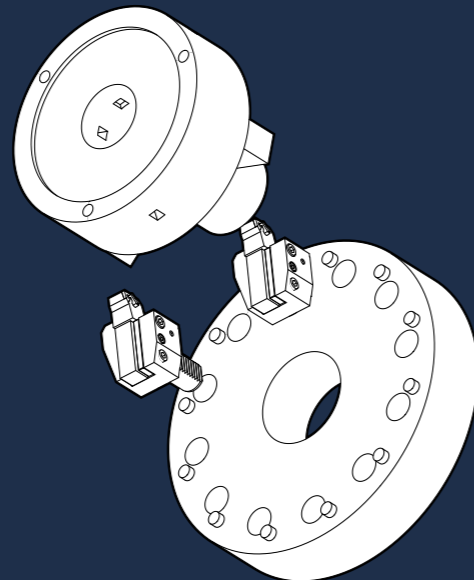
B1 & B5



B4 & B8



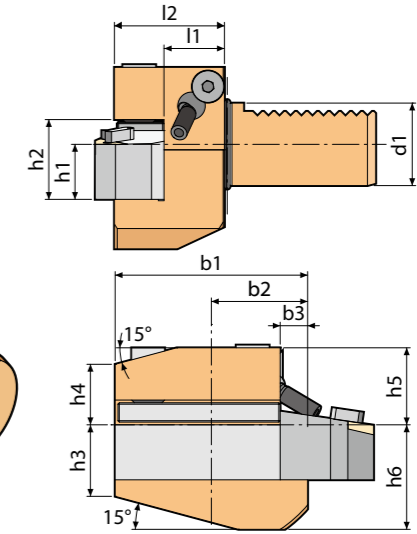
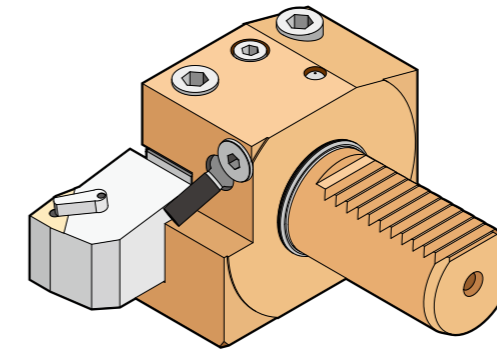
B2 & B6



固定刀座
STATIC
TOOL HOLDER

B 系列
B Series

B1



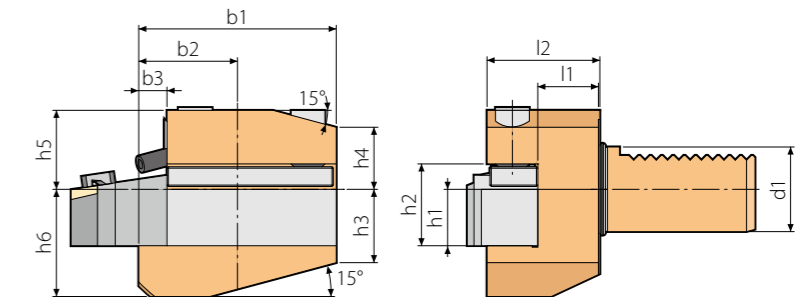
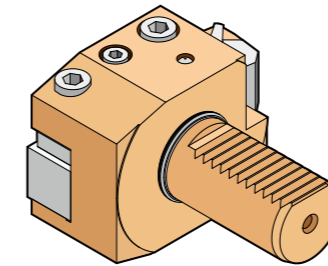
規格尺寸
DIMENSIONS

Order NO.	d1	b1	b2	b3	h1	h2	h3	h4	h5	h6	l1	l2
B1-20×16	20	55	30	7	16	22	19	19	25	30	26	40
B1-30×20	30	70	35	10	20	29	26	22	28	38	22	40
B1-40×25	40	85	42.5	12.5	25	34	35	30	32.5	48	22	44
B1-50×32	50	100	50	16	32	41	42	35	35	60	30	55
B1-60×32	60	125	62.5	16	32	41	46	42.5	42.5	62.5	30	60

*VDI

9

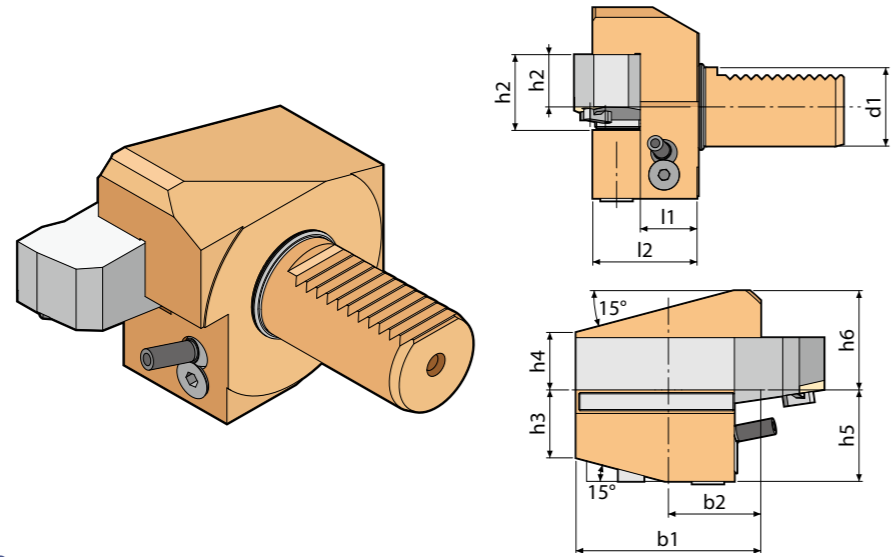
B2



規格尺寸
DIMENSIONS

Order NO.	d1	b1	b2	b3	h1	h2	h3	h4	h5	h6	l1	l2
B2-20×16	20	55	30	7	16	22	19	19	25	30	26	40
B2-30×20	30	70	35	10	20	29	26	22	28	38	22	40
B2-40×25	40	85	42.5	12.5	25	34	35	30	32.5	48	22	44
B2-50×32	50	100	50	16	32	41	42	35	35	60	30	55
B2-60×32	60	125	62.5	16	32	41	46	42.5	42.5	62.5	30	60

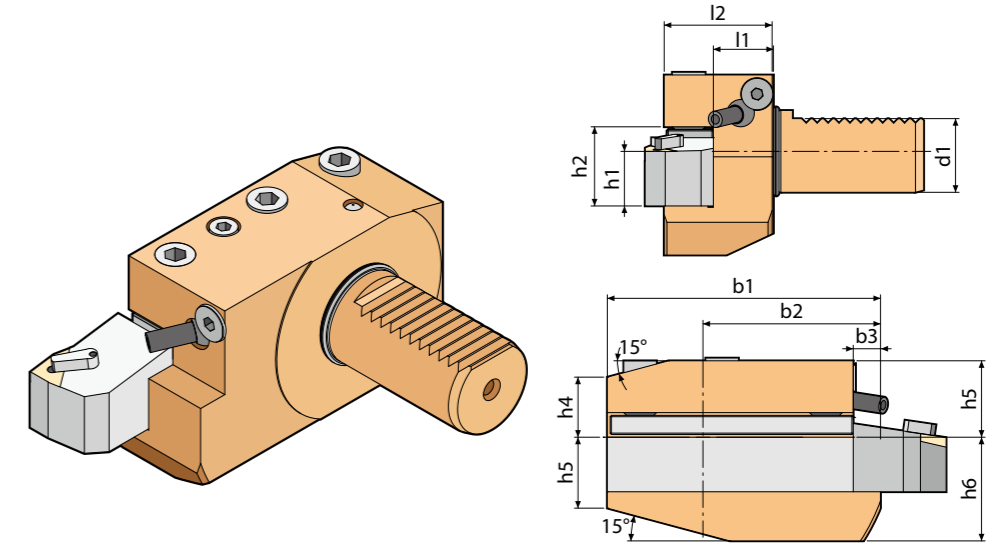
B3



規格尺寸
DIMENSIONS

Order NO.	d1	b1	b2	b3	h1	h2	h3	h4	h5	h6	l1	l2
B3-20×16	20	55	30	7	16	22	19	19	25	30	26	40
B3-30×20	30	70	35	10	20	29	26	22	35	38	22	40
B3-40×25	40	85	42.5	12.5	25	34	35	30	42.5	48	22	44
B3-50×32	50	100	50	16	32	41	42	35	50	60	30	55
B3-60×32	60	125	62.5	16	32	41	46	42.5	62.5	62.5	30	60

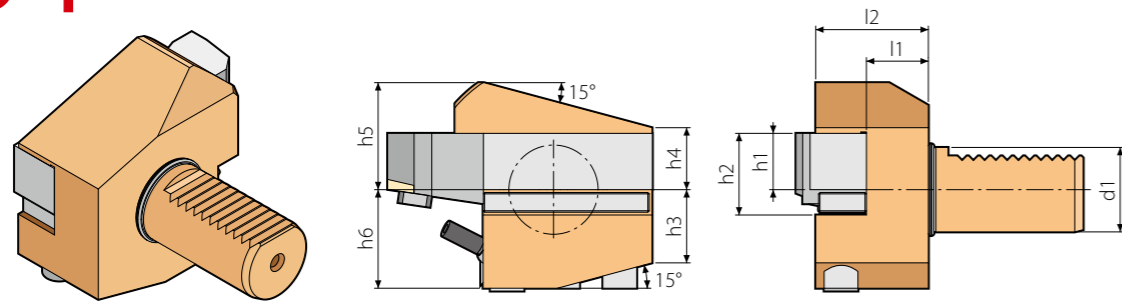
B5



規格尺寸
DIMENSIONS

Order NO.	d1	b1	b2	b3	h1	h2	h3	h4	h5	h6	l1	l2
B5-20×16	20	75	50	7	16	22	19	19	25	30	26	40
B5-30×20	30	100	65	10	20	29	26	22	28	38	22	40
B5-40×25	40	118	75.5	12.5	25	34	35	30	32.5	48	22	44
B5-50×32	50	130	80	16	32	41	42	35	35	60	30	55
B5-60×32	60	145	82.5	16	32	41	46	42.5	42.5	62.5	30	60

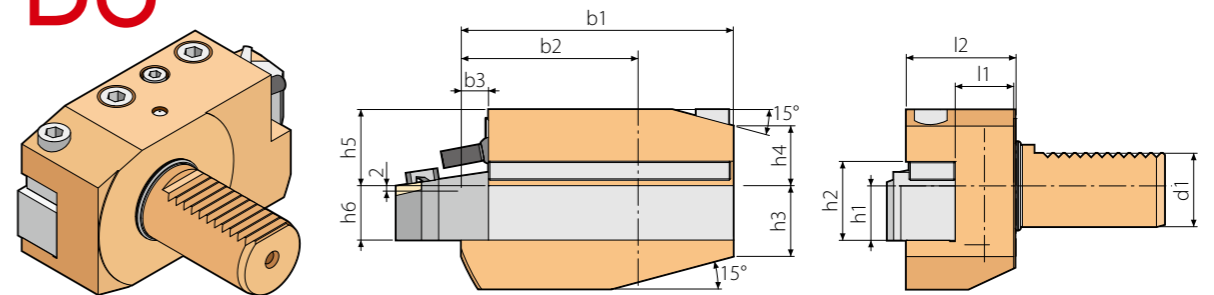
B4



規格尺寸
DIMENSIONS

Order NO.	d1	b1	b2	b3	h1	h2	h3	h4	h5	h6	l1	l2
B4-20×16	20	55	30	7	16	22	19	19	25	30	26	40
B4-30×20	30	70	35	10	20	29	26	22	35	38	22	40
B4-40×25	40	85	42.5	12.5	25	34	35	30	42.5	48	22	44
B4-50×32	50	100	50	16	32	41	42	35	50	60	30	55
B4-60×32	60	125	62.5	16	32	41	46	42.5	62.5	62.5	30	60

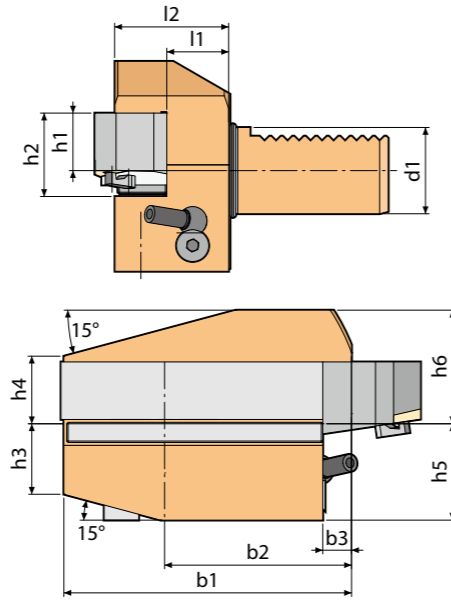
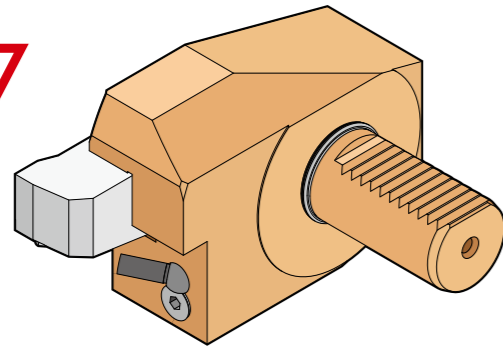
B6



規格尺寸
DIMENSIONS

Order NO.	d1	b1	b2	b3	h1	h2	h3	h4	h5	h6	l1	l2
B6-20×16	20	75	50	7	16	22	19	19	25	30	26	40
B6-30×20	30	100	65	10	20	29	26	22	28	38	22	40
B6-40×25	40	118	75.5	12.5	25	34	35	30	32.5	48	22	44
B6-50×32	50	130	80	16	32	41	42	35	35	60	30	55
B6-60×32	60	145	82.5	16	32	41	46	42.5	42.5	62.5	30	60

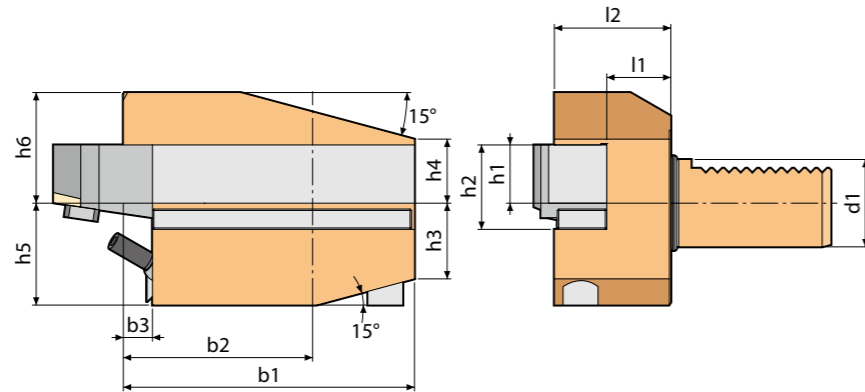
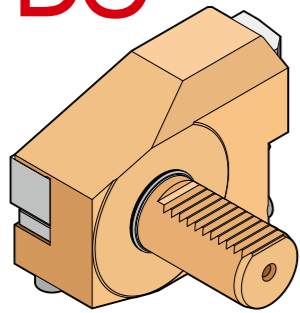
B7



規格尺寸 DIMENSIONS

Order NO.	d1	b1	b2	b3	h1	h2	h3	h4	h5	h6	l1	l2
B7-20×16	20	75	50	7	16	22	19	19	25	30	26	40
B7-30×20	30	100	65	10	20	29	26	22	35	38	22	40
B7-40×25	40	118	75.5	12.5	25	34	35	30	42.5	48	22	44
B7-50×32	50	130	80	16	32	41	42	35	50	60	30	55
B7-60×32	60	145	82.5	16	32	41	46	42.5	42.5	62.5	30	60

B8



規格尺寸 DIMENSIONS

Order NO.	d1	b1	b2	b3	h1	h2	h3	h4	h5	h6	l1	l2
B8-20×16	20	55	30	7	16	22	19	19	25	30	26	40
B8-30×20	30	70	35	10	20	29	26	22	28	38	22	40
B8-40×25	40	85	42.5	12.5	25	34	35	30	32.5	48	22	44
B8-50×32	50	100	50	16	32	41	42	35	35	60	30	55
B8-60×32	60	125	62.5	16	32	41	46	42.5	42.5	62.5	30	60

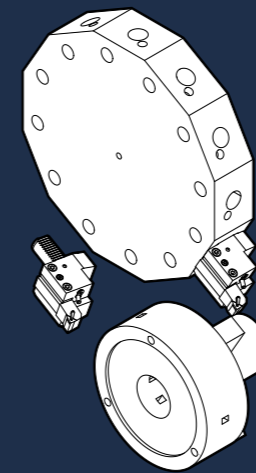
C 型號刀座選配

Optional Model-C Tool Holder

C2

徑向刀塔配置示意圖（刀面向上常用於雙主軸之副主軸正轉）外徑及端面之刀座。

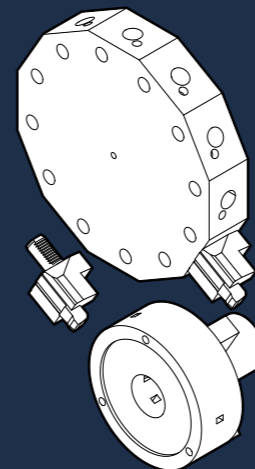
Schematic diagram of the radical turret (The tool is upward, and usually mounted on sub-spindle of double spindle machine for clockwise rotation) BMT tool holder and end face tool holder.



C4

徑向刀塔配置示意圖（刀面向上常用於雙主軸之副主軸逆轉）外徑及端面之刀座。

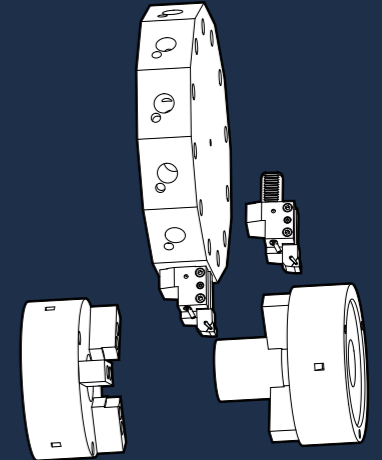
Schematic diagram of the radical turret (The tool is upward, and usually mounted on sub-spindle of double spindle machine for counterclockwise rotation) BMT tool holder and end face tool holder.



C1

徑向刀塔配置示意圖（刀面向上常用於雙主軸之副主軸正轉）外徑及端面之刀座。

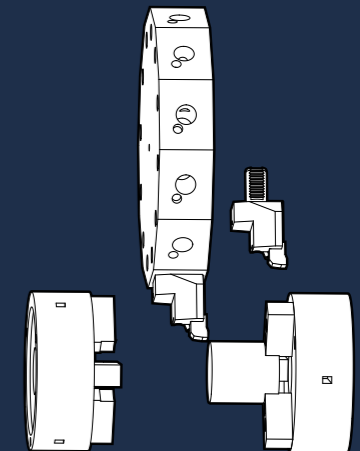
Schematic diagram of the radical turret (The tool is upward, and usually mounted on sub-spindle of double spindle machine for clockwise rotation) BMT tool holder and end face tool holder.



C3

徑向刀塔配置示意圖（刀面向上常用於雙主軸之副主軸逆轉）外徑及端面之刀座。

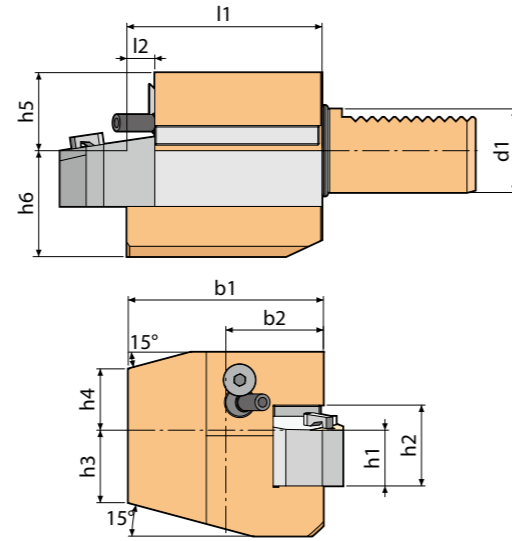
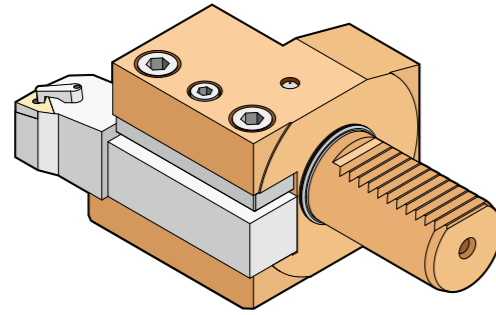
Schematic diagram of the radical turret (The tool is upward, and usually mounted on sub-spindle of double spindle machine for counterclockwise rotation) BMT tool holder and end face tool holder.



固定刀座
STATIC
TOOL HOLDER

C 系列
C Series

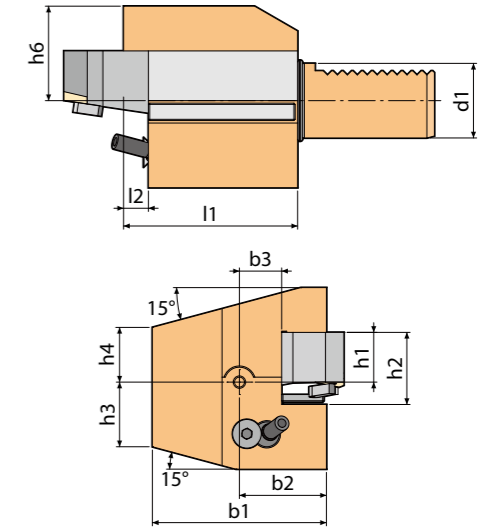
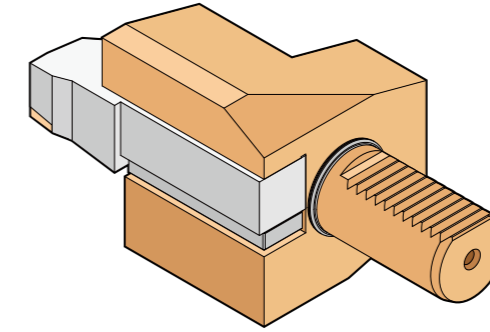
C1



規格尺寸
DIMENSIONS

Order NO.	d1	b1	b2	b3	h1	h2	h3	h4	h5	h6	l1	l2	l3
C1-20×16	20	65	40	26	16	22	19	19	25	30	50	-	30
C1-30×20	30	70	35	17	20	29	26	22	28	38	70	10	30
C1-40×25	40	85	42.5	20.5	25	34	35	30	32.5	48	85	12.5	30
C1-50×32	50	100	50	25.5	32	41	42	35	35	60	100	16	40
C1-60×32	60	125	62.5	32	41	46	42.5	42.5	42.5	62.5	125	16	40

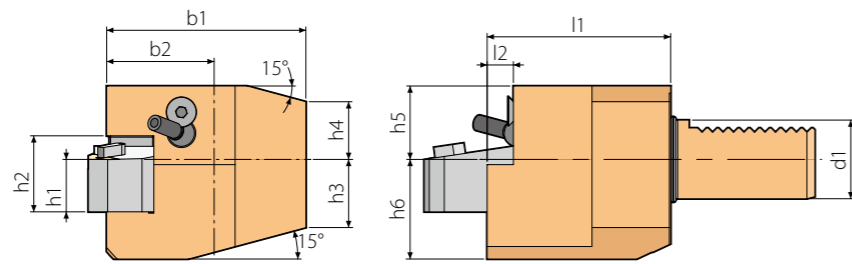
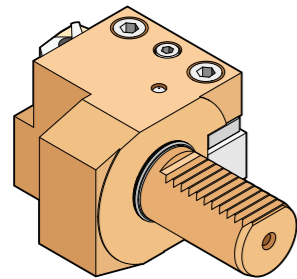
C3



規格尺寸
DIMENSIONS

Order NO.	d1	b1	b2	b3	h1	h2	h3	h4	h5	h6	l1	l2	l3
C3-20×16	20	65	40	26	16	22	19	19	25	30	50	-	30
C3-30×20	30	70	35	17	20	29	26	22	35	38	70	10	30
C3-40×25	40	85	42.5	20.5	25	34	35	30	42.5	48	85	12.5	30
C3-50×32	50	100	50	25.5	32	41	42	35	50	60	100	16	40
C3-60×32	60	125	62.5	32.5	32	41	46	42.5	62.5	62.5	125	16	40

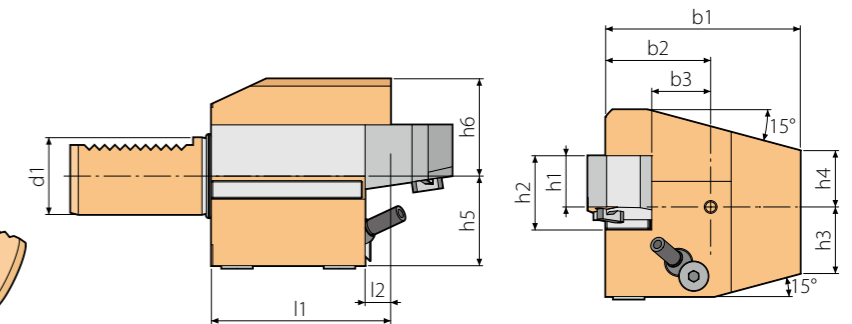
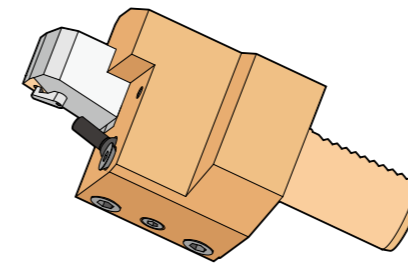
C2



規格尺寸
DIMENSIONS

Order NO.	d1	b1	b2	b3	h1	h2	h3	h4	h5	h6	l1	l2	l3
C2-20×16	20	65	40	26	16	22	19	19	25	30	50	-	30
C2-30×20	30	76	41	23	20	29	26	22	28	38	70	10	30
C2-40×25	40	90	47.5	25.5	25	34	35	30	32.5	48	85	12.5	30
C2-50×32	50	105	55	30.5	32	41	42	35	35	60	100	16	40
C2-60×32	60	125	62.5	32.5	41	46	42.5	42.5	42.5	62.5	125	16	40

C4



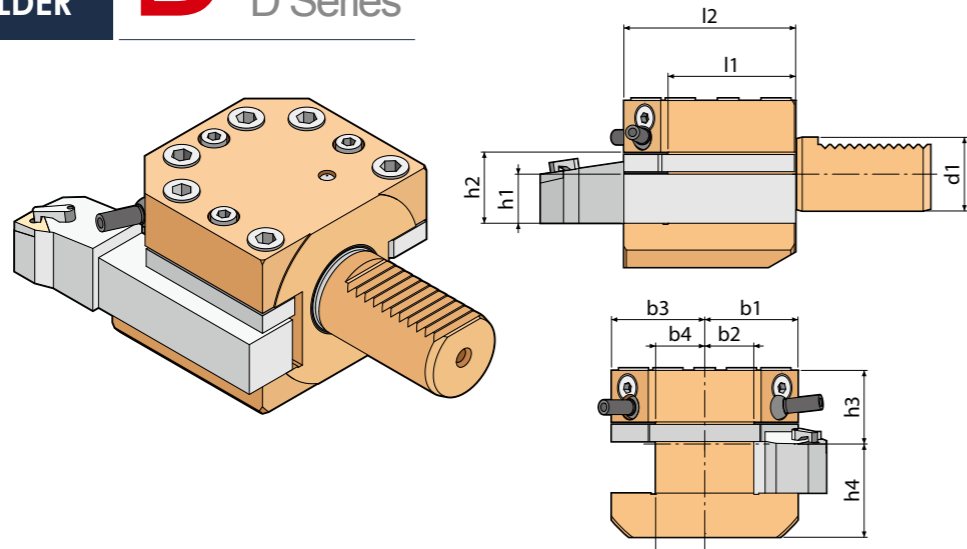
規格尺寸
DIMENSIONS

Order NO.	d1	b1	b2	b3	h1	h2	h3	h4	h5	h6	l1	l2
C4-20×16	20	65	40	26	16	22	19	19	25	30	50	-
C4-30×20	30	76	41	23	20	29	26	22	35	38	70	10
C4-40×25	40	90	47.5	25.5	25	34	35	30	42.5	48	85	12.5
C4-50×32	50	105	55	30.5	32	41	42	35	50	60	100	16
C4-60×32	60	125	62.5	32.5	32	41	46	42.5	62.5	62.5	125	16

固定刀座
STATIC
TOOL HOLDER

D 系列
D Series

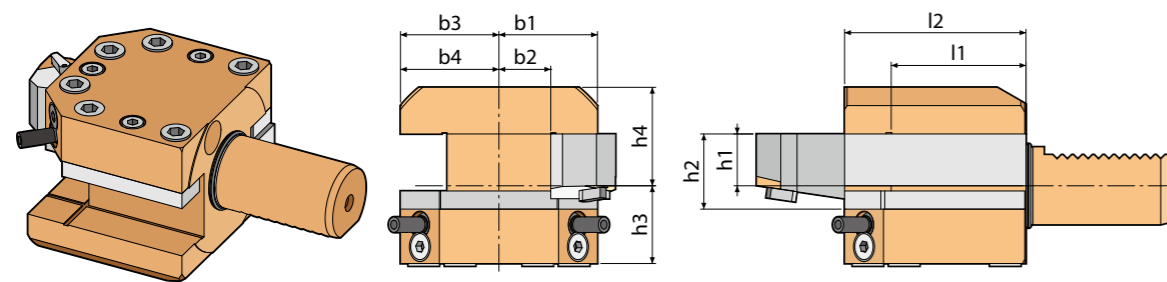
D1



規格尺寸
DIMENSIONS

Order NO.	d1	b1	b2	b3	b4	h1	h2	h3	h4	l1	l2
D1-30×20	30	35	17	38	20	20	29	28	38	52	70
D1-40×25	40	42.5	20.5	47.5	25.5	25	34	32.5	48	62	85
D1-50×32	50	55.5	25.5	60	30.5	32	41	35	60	70	100
D1-60×32	60	62.5	32.5	65.5	35.5	32	41	42.5	62.5	95	125

D2



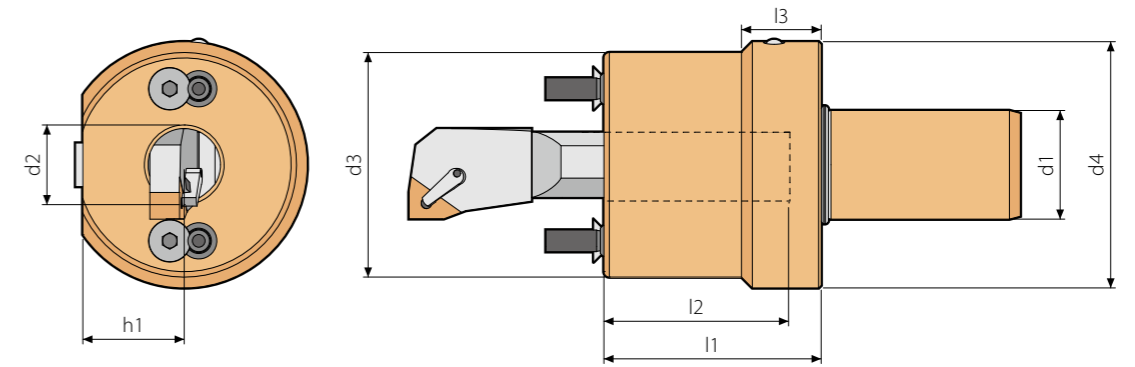
規格尺寸
DIMENSIONS

Order NO.	d1	b1	b2	b3	b4	h1	h2	h3	h4	l1	l2
D2-30×20	30	70	35	10	20	20	29	35	38	52	70
D2-40×25	40	85	42.5	12.5	25.5	25	34	42.5	48	62	85
D2-50×32	50	100	50	16	30.5	32	41	50	60	70	100
D2-60×32	60	125	62.5	16	35.5	32	41	62.5	62.5	95	125

固定刀座
STATIC
TOOL HOLDER

E 系列
E Series

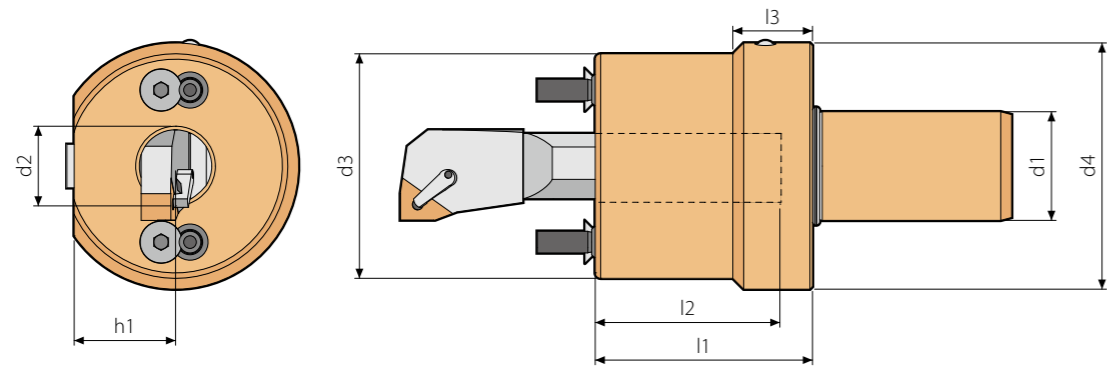
E2



規格尺寸
DIMENSIONS

Order NO.	d1	d2	d3	d4	h1	l1	l2	l3
E2-20×8	20	8	40	50	21	56	48	24
E2-20×10	20	10	40	50	21	56	50	24
E2-20×12	20	12	40	50	21	56	50	24
E2-20×16	20	16	44	50	21	56	60	24
E2-20×20	20	20	50	50	21	56	12	24
E2-20×25	20	25	52	52	24	60	51	60
E2-30×10	30	10	55	68	28	55	48	22
E2-30×12	30	12	55	68	28	55	50	22
E2-30×16	30	16	55	68	28	75	50	22
E2-30×20	30	20	55	68	28	75	60	22
E2-30×25	30	25	66	68	28	85	70	22
E2-30×32	30	32	66	68	28	85	70	22
E2-40×10	40	10	60	83	32.5	55	50	22
E2-40×12	40	12	60	83	32.5	55	50	22
E2-40×16	40	16	70	83	32.5	75	50	22
E2-40×20	40	20	70	83	32.5	75	60	22
E2-40×25	40	25	70	83	32.5	85	60	22
E2-40×32	40	32	70	83	32.5	85	70	22
E2-40×40	40	40	83	83	32.5	100	70	22

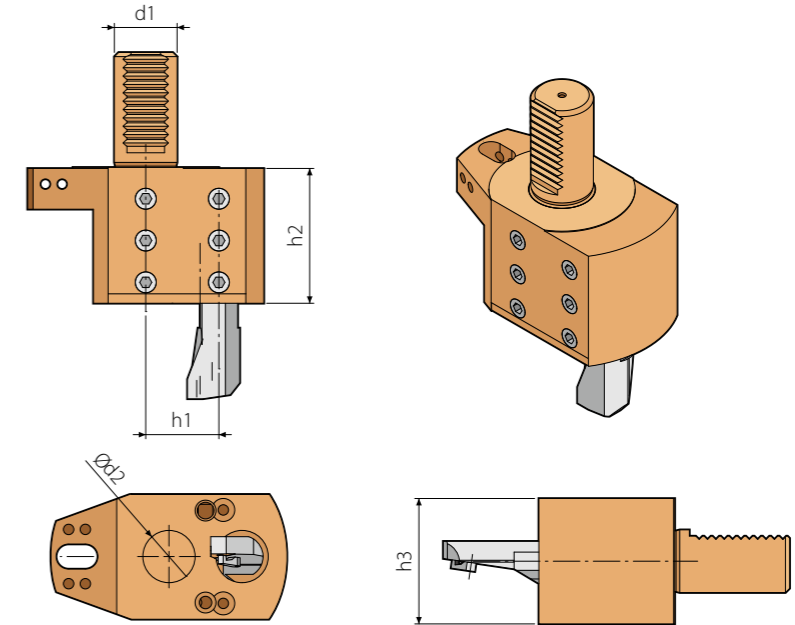
E2



規格尺寸 DIMENSIONS

Order NO.	d1	d2	d3	d4	h1	l1	h2	l3
E2-50×10	50	10	60	98	35	72	50	30
E2-50×12	50	12	60	98	35	72	50	30
E2-50×16	50	16	68	98	35	90	60	30
E2-50×20	50	20	68	98	35	90	60	30
E2-50×25	50	25	68	98	35	90	76	30
E2-50×32	50	32	74	98	35	92	76	30
E2-50×40	50	40	96	98	35	92	76	30
E2-50×50	50	50	96	98	35	102	86	30
E2-60×20	60	20	80	123	42.5	90	60	30
E2-60×25	60	25	80	123	42.5	90	60	30
E2-60×32	60	32	80	123	42.5	90	68	30
E2-60×40	60	40	80	123	42.5	92	68	30
E2-60×50	60	50	92	123	42.5	92	76	30
E2-60×60	60	60	92	123	42.5	102	86	30

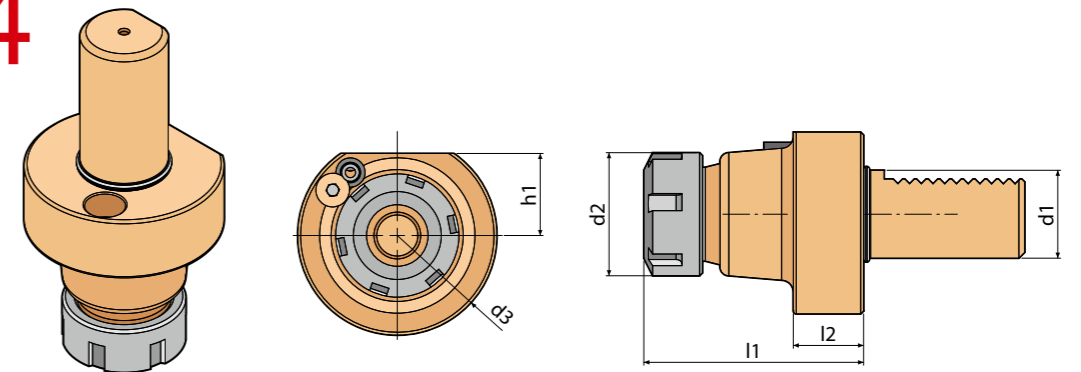
E2 OFFSET



規格尺寸 DIMENSIONS

Order NO.	d1	d2	h1	h2	h3
E2-30-OFF35	30	25	35	65	65
E2-40-OFF65	40	40	65	85	80

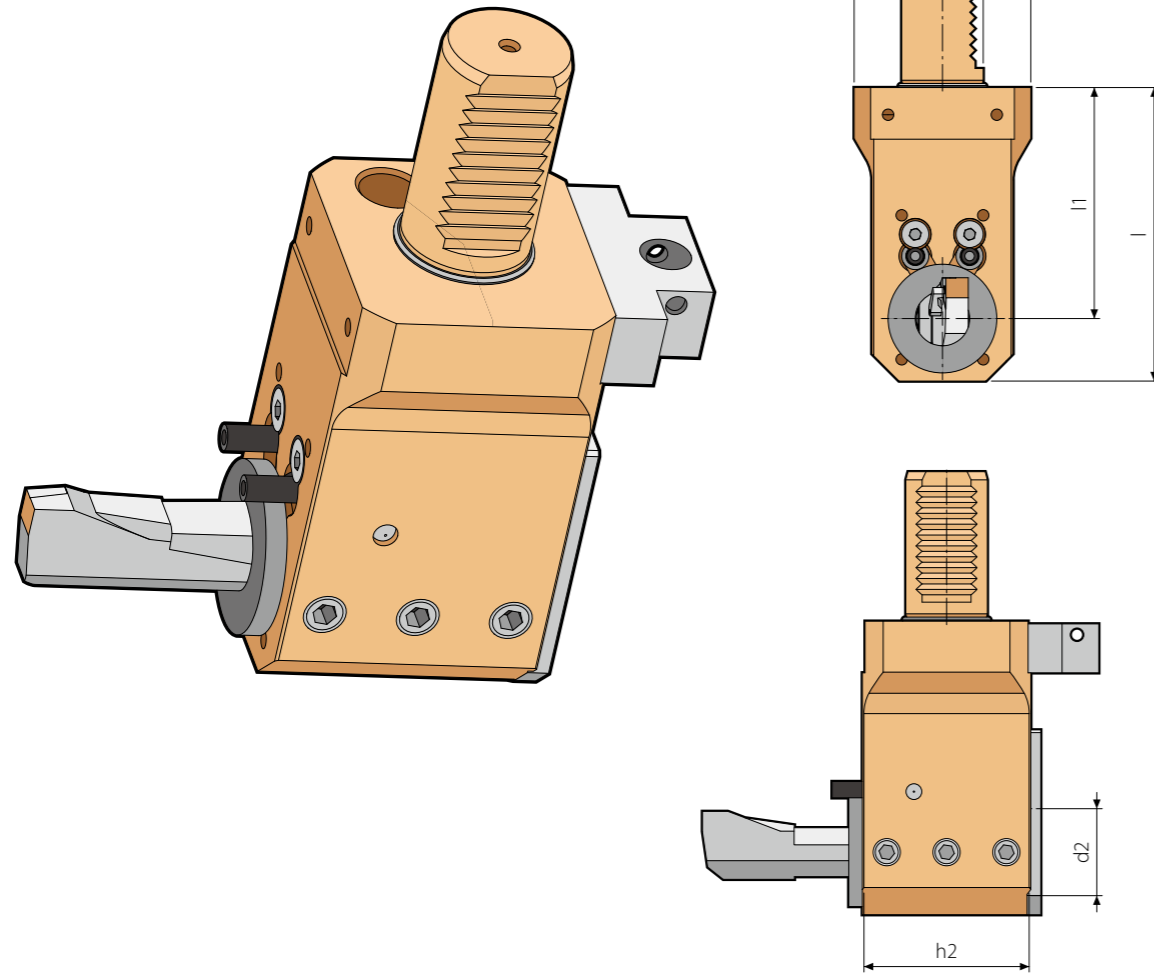
E4



規格尺寸 DIMENSIONS

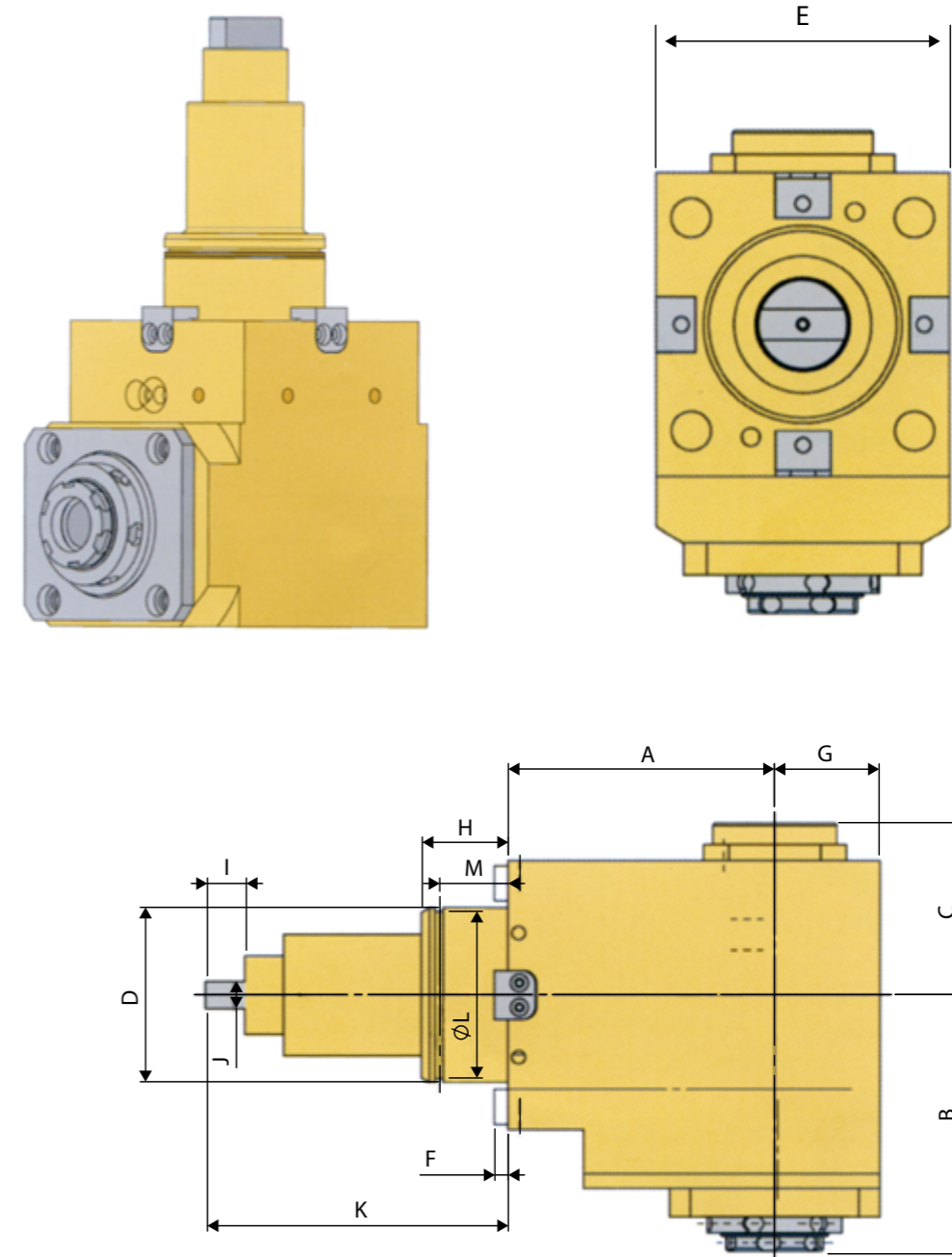
Order NO.	collet	b1	b2	b3	l1	l2	h1
E4-20×ER16	ER 16	20	27	50	50	22	19
E4-20×ER25	ER 25	30	42	50	50	22	19
E4-30×ER25	ER25	30	42	68	75	22	28
E4-30×ER32	ER32	30	50	68	75	22	28
E4-40×ER25	ER25	40	42	83	75	22	32.5
E4-40×ER32	ER32	40	50	83	75	22	32.5
E4-40×ER40	ER40	40	63	83	75	22	32.5

T1



規格尺寸
DIMENSIONS

Order NO.	d1	b2	l	l1	h1	h2	h3
T1-30×32-65	30	32	88	65	65	62	52
T1-30×32-85	30	32	108	85	65	62	52
T1-30×32-100	30	32	123	100	65	62	65
T1-40×40-85	40	40	112	85	80	85	65
T1-40×40-100	40	40	127	100	80	85	65

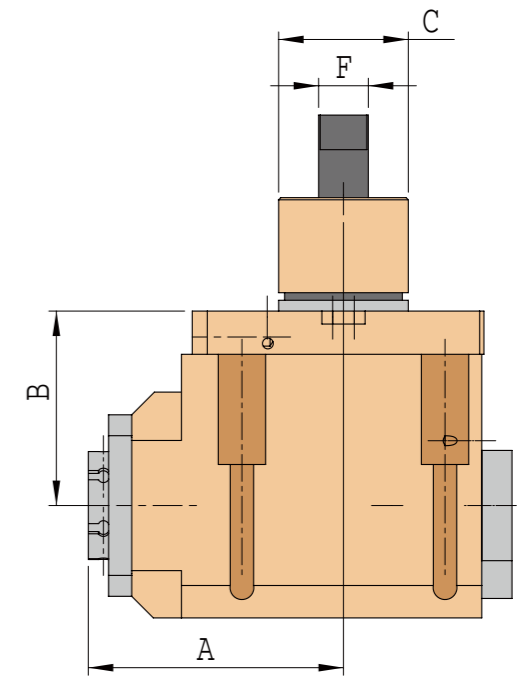
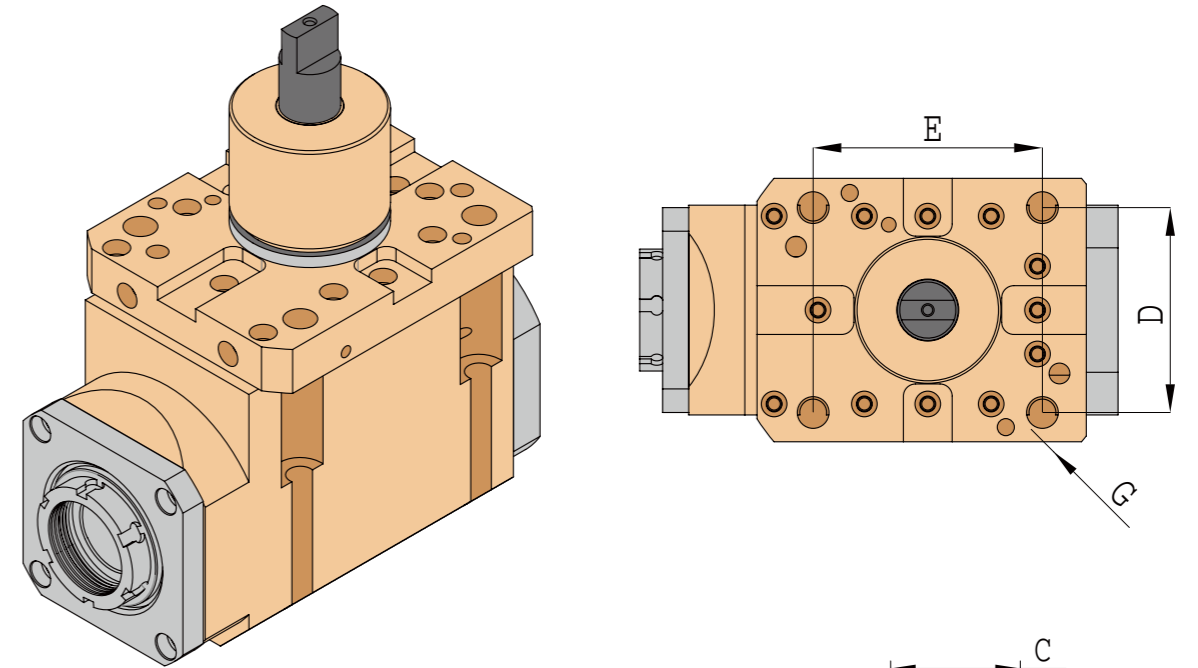
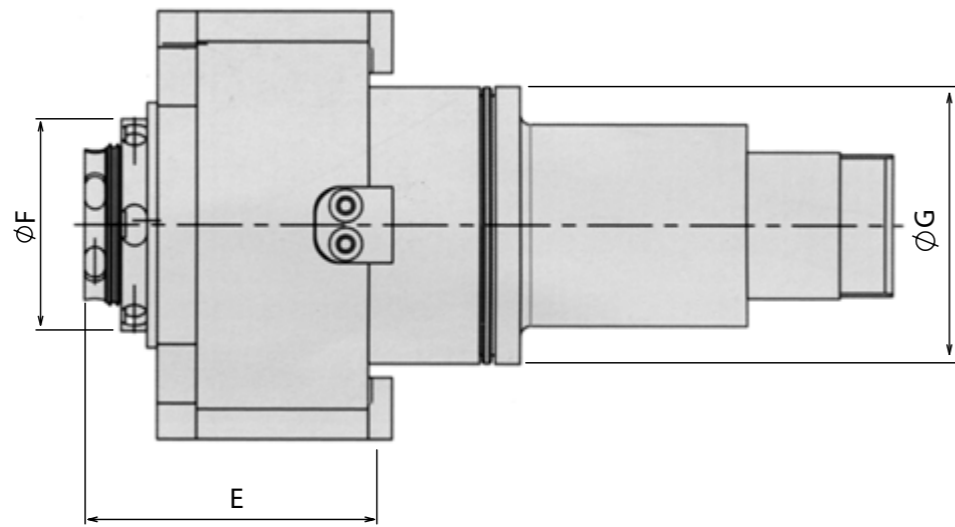
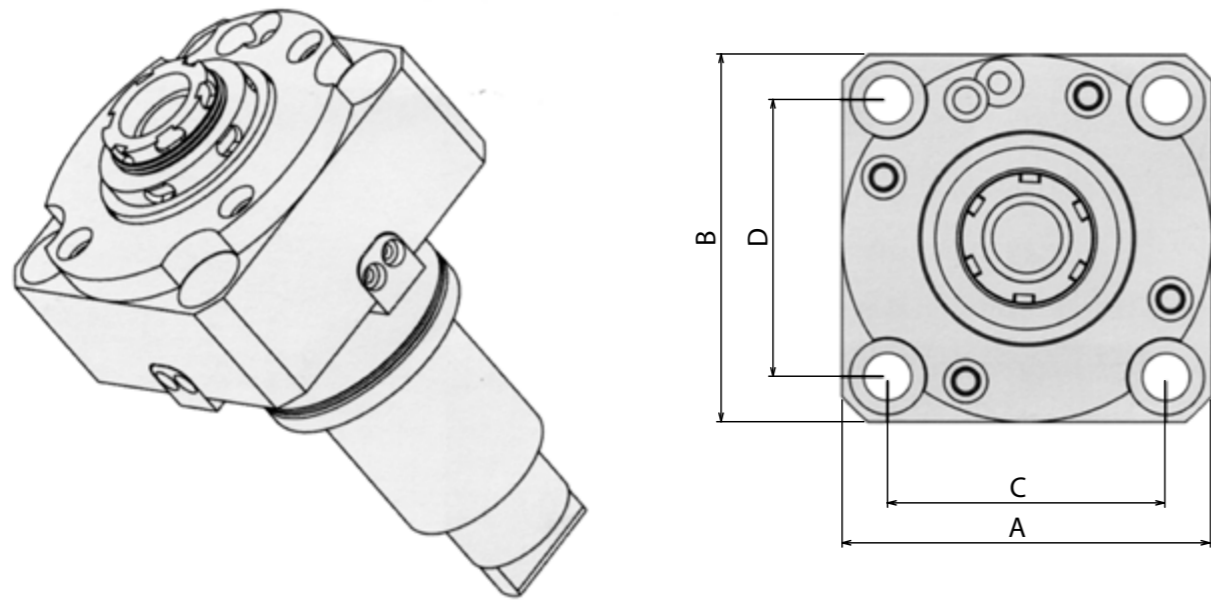


規格尺寸
DIMENSIONS

Order No.	A	B	C	D	E	F	G	H	I	J	K	L	M	IN COLLET	OUT COLLET
7025-55	70	83	62	55	84	4.7	35	30	10.5	8	104	52	23.5	ER 25	ER 32
10032-65	100	96	64	65	96	5.5	38	32	14.5	10	112	62	25.5	ER 32	ER 40

DAWOOD 軸向系列

BMT 徑向系列 MORI-13108 型

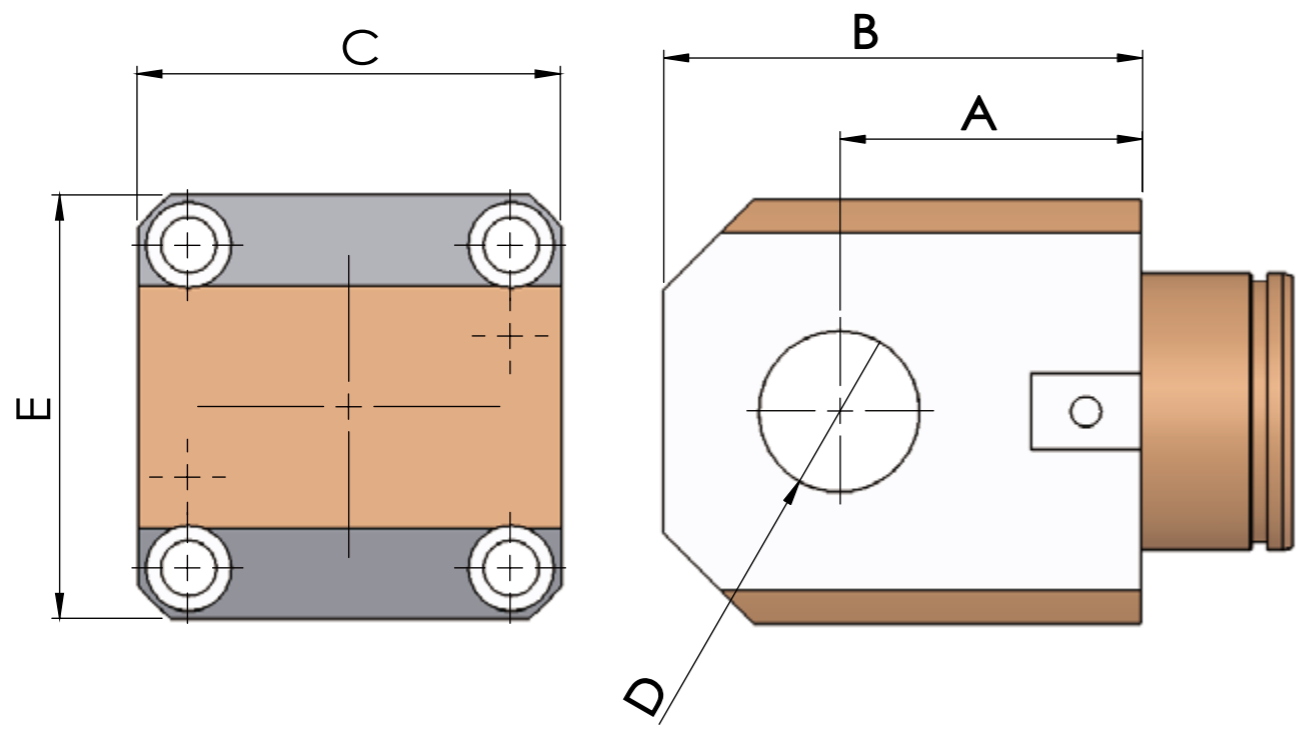


規格尺寸 DIMENSIONS

Order No.	A	B	C	D	E	F	G
A-55-25	85	85	64	64	57	42	55
A-65-32	96	96	73	70	70	50	65

Order No.	A	B	C	D	E	F	G
HF13108	118	90	60	84	94	23	13

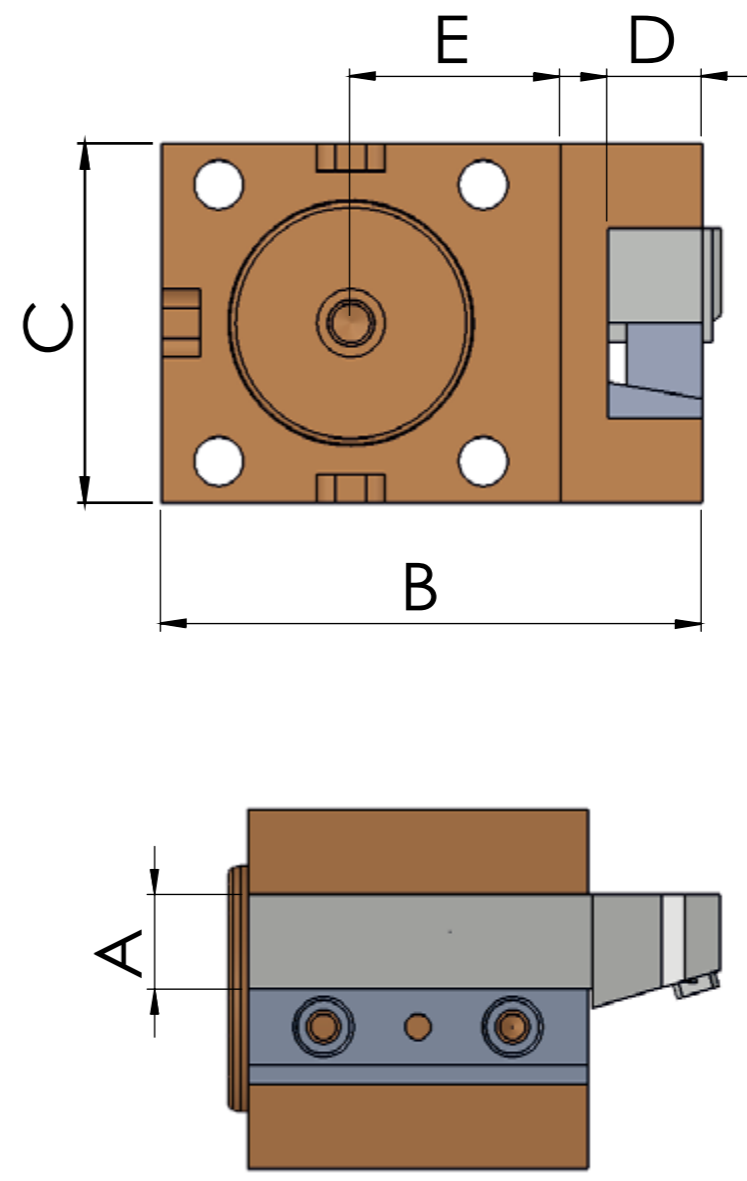
BMT 内径車刀座



規格尺寸
DIMENSIONS

Order No.	A	B	C	D	E
BMT-55	85	85	64	64	57
BMT-65	96	96	73	70	70

BMT 外径刀組

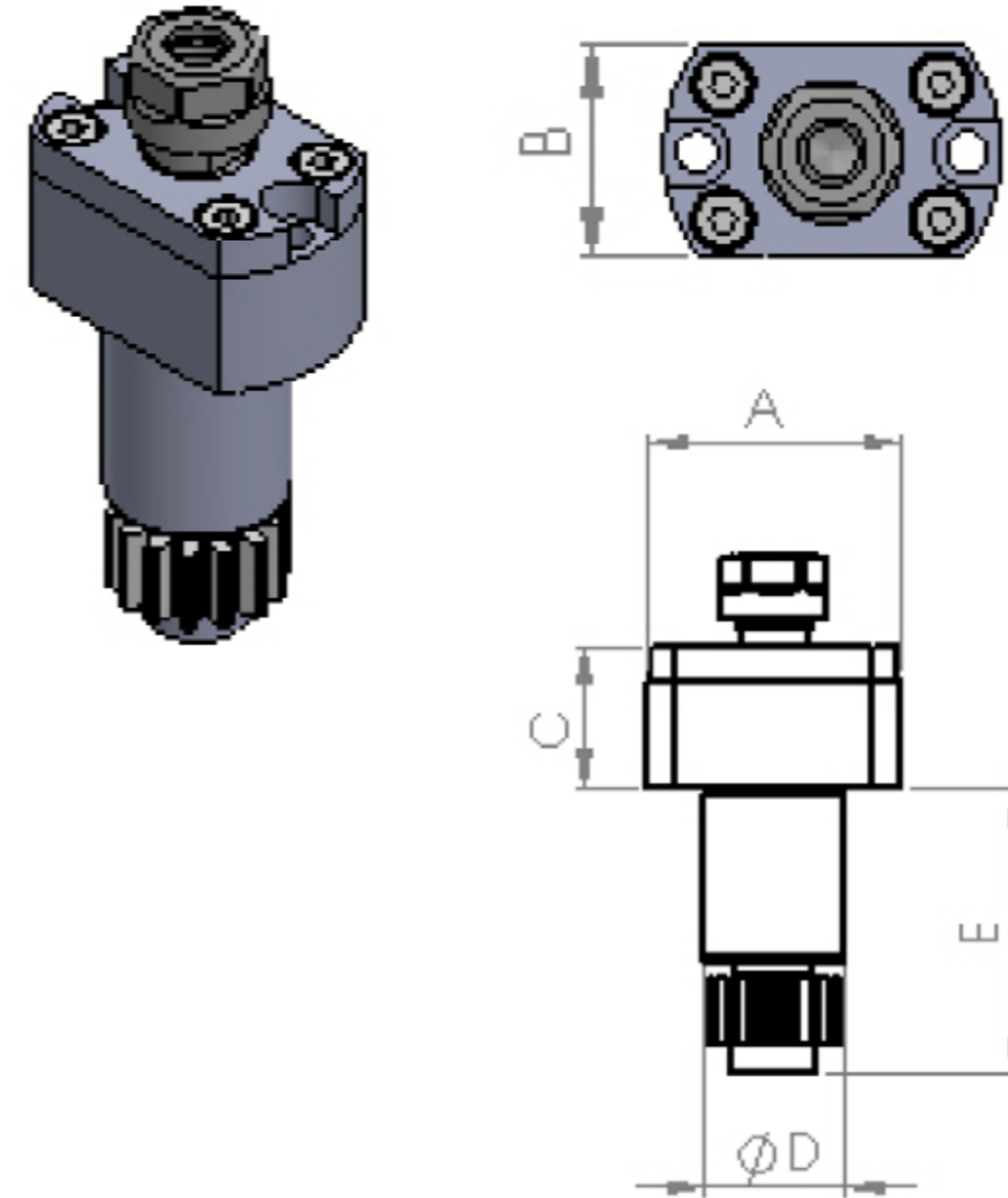
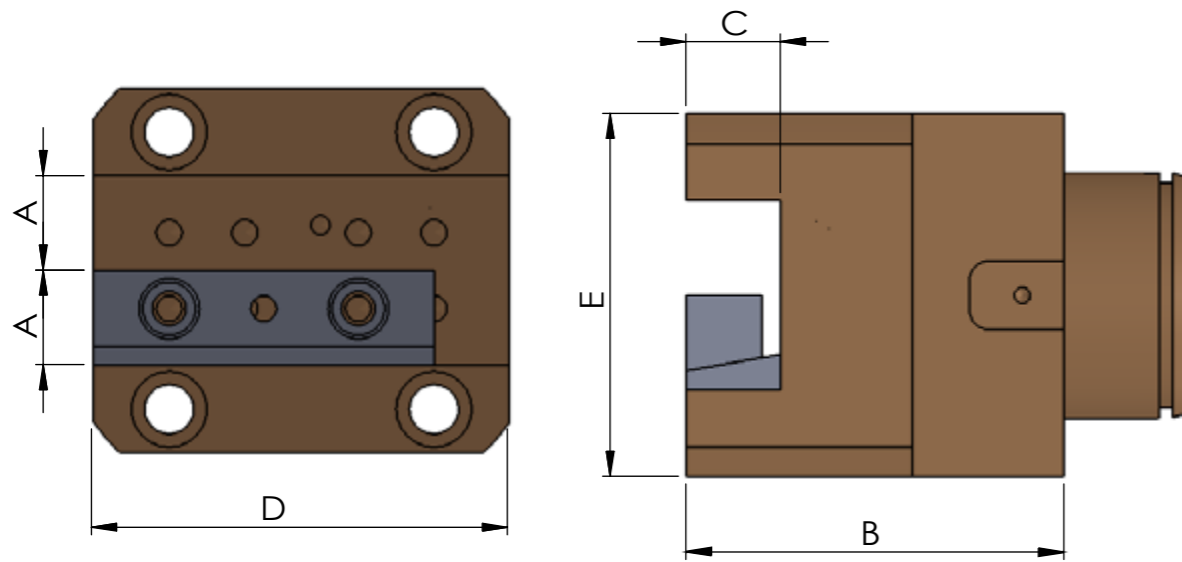


規格尺寸
DIMENSIONS

Order No.	A	B	C	D	E
BMT-55	20	120.5	62	55	84
BMT-65	25	96	64	65	96

DEAWOO 端面刀組

CITIZEN GSE3307BT



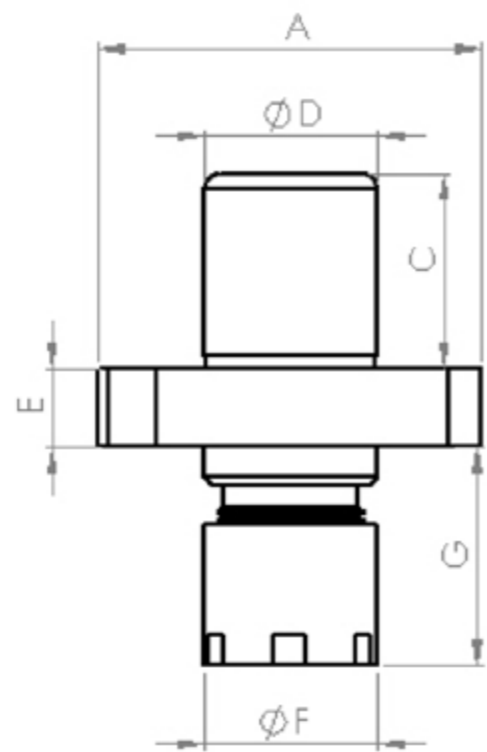
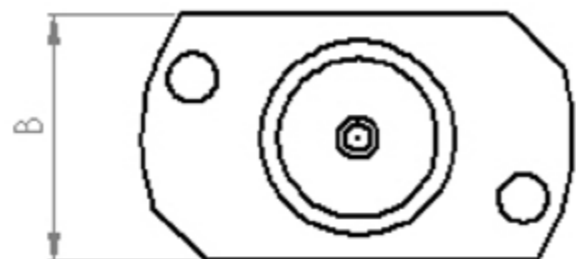
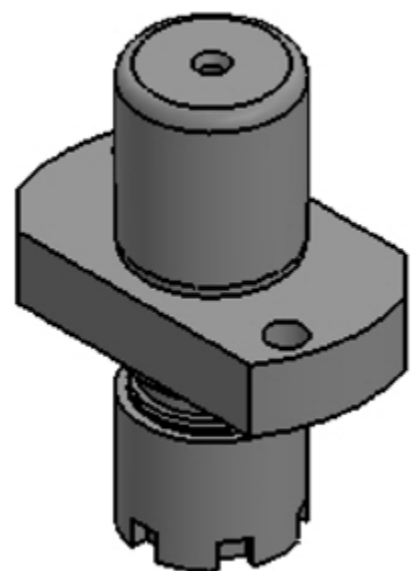
規格尺寸 DIMENSIONS

Order No.	A	B	C	D	E
BMT-55	20	63	20	84	84
BMT-65	25	100	25	110	96

規格尺寸 DIMENSIONS

Order No.	A	B	C	D	E	ER
CITIZEN- GSE3307BT	45	28	25	25	51	11

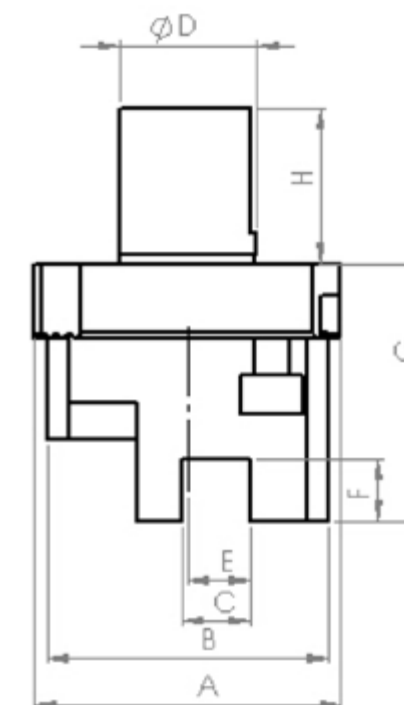
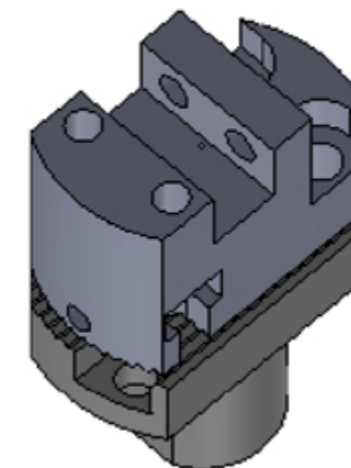
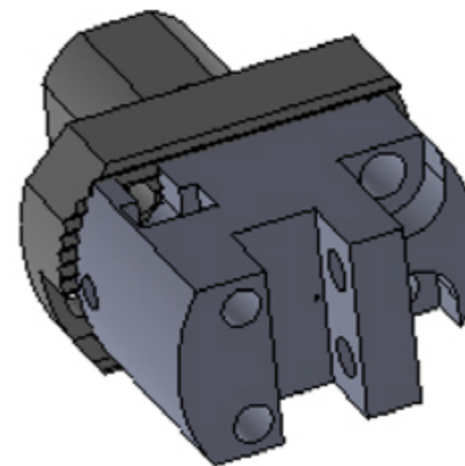
STAR E4



規格尺寸
DIMENSIONS

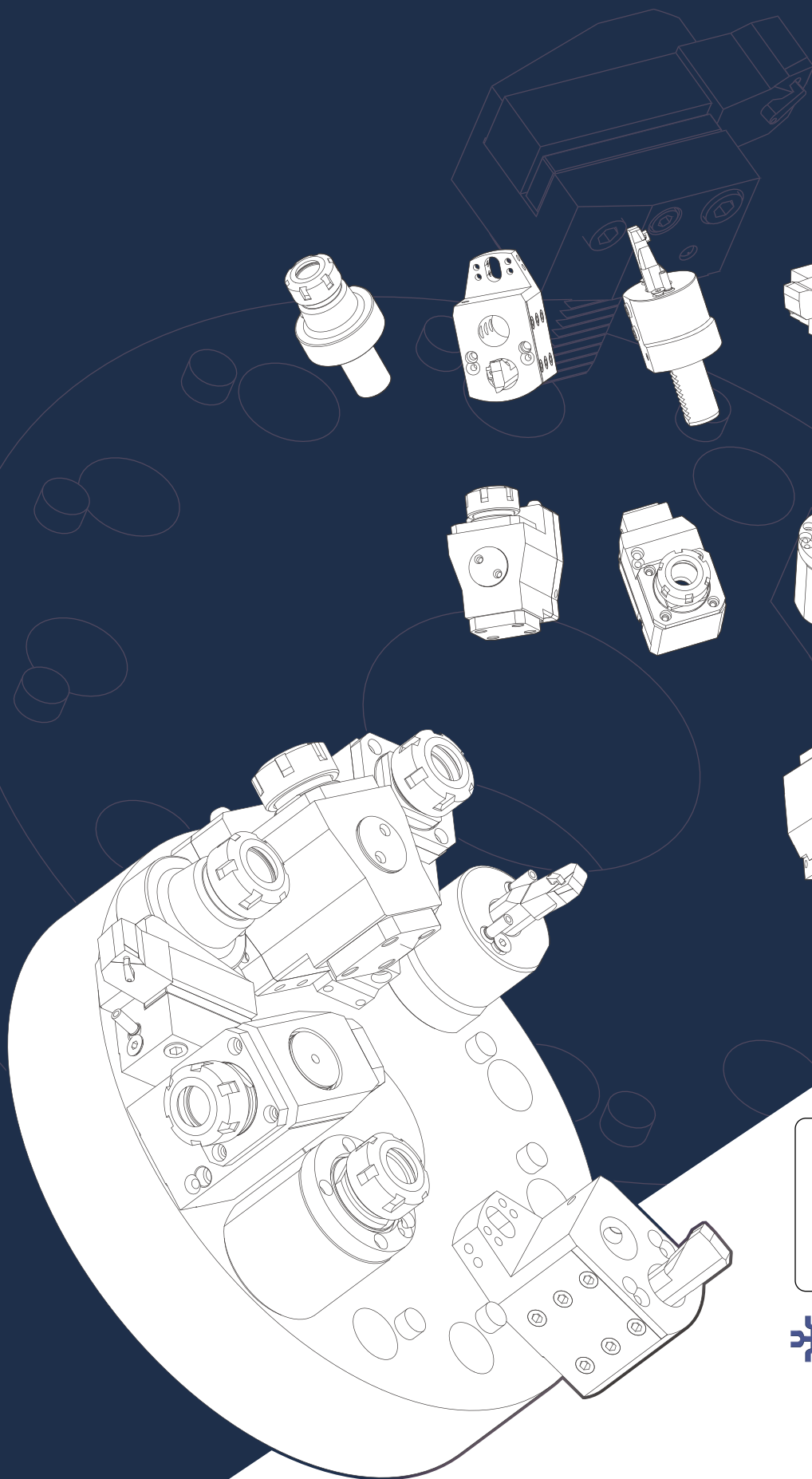
Order No.	A	B	C	D	E	F	G	ER
CITIZEN-GSE3307BT	49	28	25	22	10	22	28	16

STAR 端面刀組



規格尺寸
DIMENSIONS

Order No.	A	B	C	D	E	F	G	H	I	J	K
BMT-55	49	45	10.5	22	10	10	41	25			



經銷商:



耀裕工業股份有限公司

YAU YU INDUSTRIES CO., LTD.

40151台中市東區精武路1~8號

No.1~8, Jingwu Rd., East Dist., Taichung
City 401, Taiwan (R.O.C.)

TEL:04-2211-0875 FAX:04-2211-6858

E-mail:yauyu.chen@msa.hinet.net

www.vdi-yauyu.com.tw/